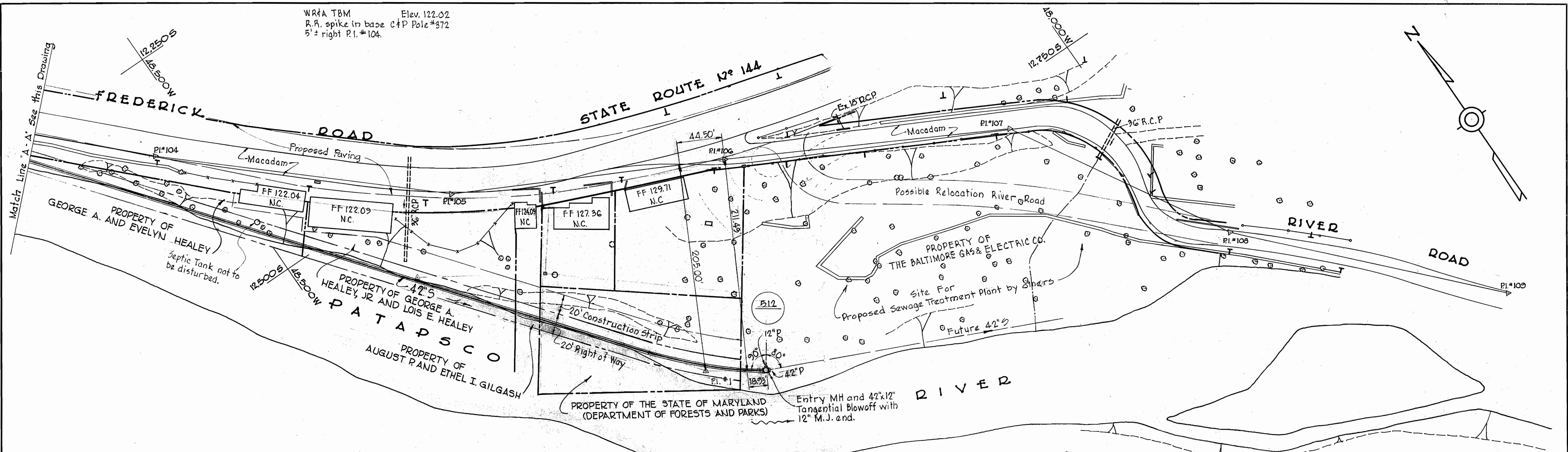


CONTRACT 25S
 PATAPSCO RIVER INTERCEPTOR
 HOWARD COUNTY METROPOLITAN COMMISSION
 ELLICOTT CITY SUB-DISTRICT

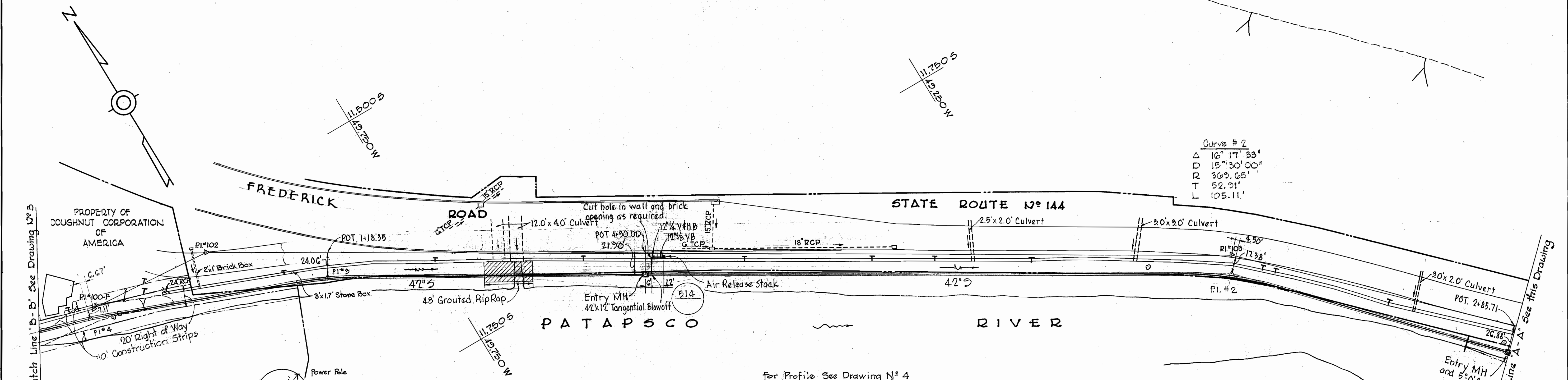
WHITMAN, REQUARDT & ASSOCIATES ENGINEERS 1304 ST. PAUL ST. BALTIMORE, MARYLAND	HOWARD COUNTY METROPOLITAN COMMISSION Feb 6, 1964 <small>DATE</small>	CONTRACT NO. 25-S	LOCATION MAP	ELLICOTT CITY SUB-DISTRICT	DRAWING NO. 1 OF 5	SCALE AS SHOWN
---	---	-------------------	--------------	----------------------------	--------------------	----------------

WRA TBM Elev. 122.02
R.A. spike in base C&P Pole #372
5' ± right P.I. #104.



Curve # 1
 Δ 18° 00' 00"
 D 15° 30' 00"
 R 369.65'
 T 58.55'
 L 116.13'

For Profile See Drawing N° 4



Curve # 2
 Δ 16° 17' 33"
 D 15° 30' 00"
 R 369.65'
 T 52.91'
 L 105.11'

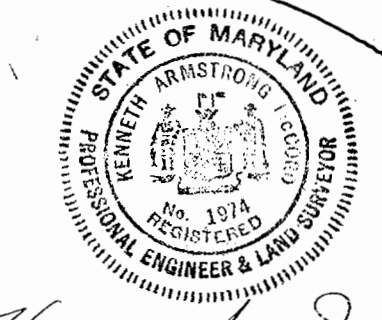
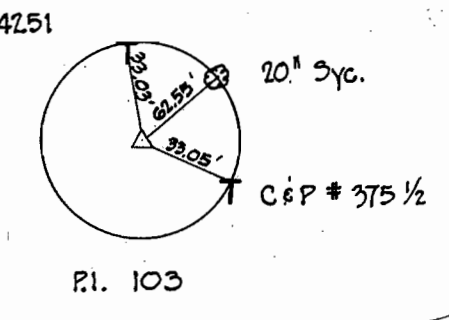
For Profile See Drawing N° 4

Curve # 4
 Δ 04° 54' 27"
 D 15° 30' 00"
 R 369.65'
 T 15.84'
 L 31.62'

Curve # 3
 Δ = 9° 19' 38"
 D = 15° 30' 00"
 R = 369.65'
 T = 30.15'
 L = 60.18'

Note
 Cost of grouted riprap to be included in unit price bid for excavation and backfill of sewer mains.

N°	Date	Revision
1	10-22-65	Sewer relocated MH 513 to Curve No. 4



WHITMAN, REQUARDT & ASSOCIATES
 ENGINEERS
 1304 ST. PAUL ST.
 BALTIMORE, MARYLAND

HOWARD COUNTY METROPOLITAN COMMISSION
 Feb. 6, 1964
 DATE

CONTRACT NO. 25-S

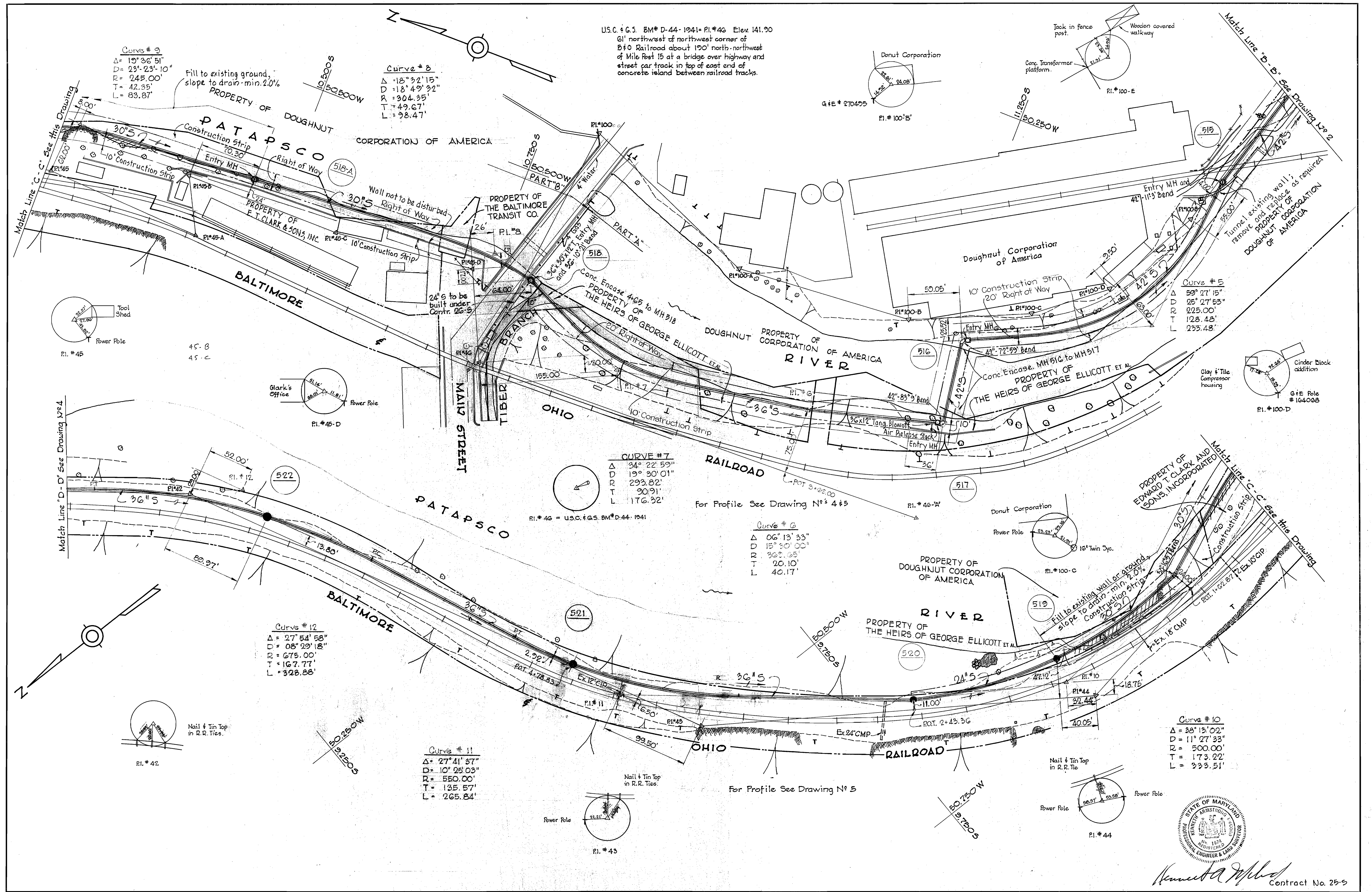
PLAN OF SEWER MAINS.

ELLICOTT CITY SUB-DISTRICT

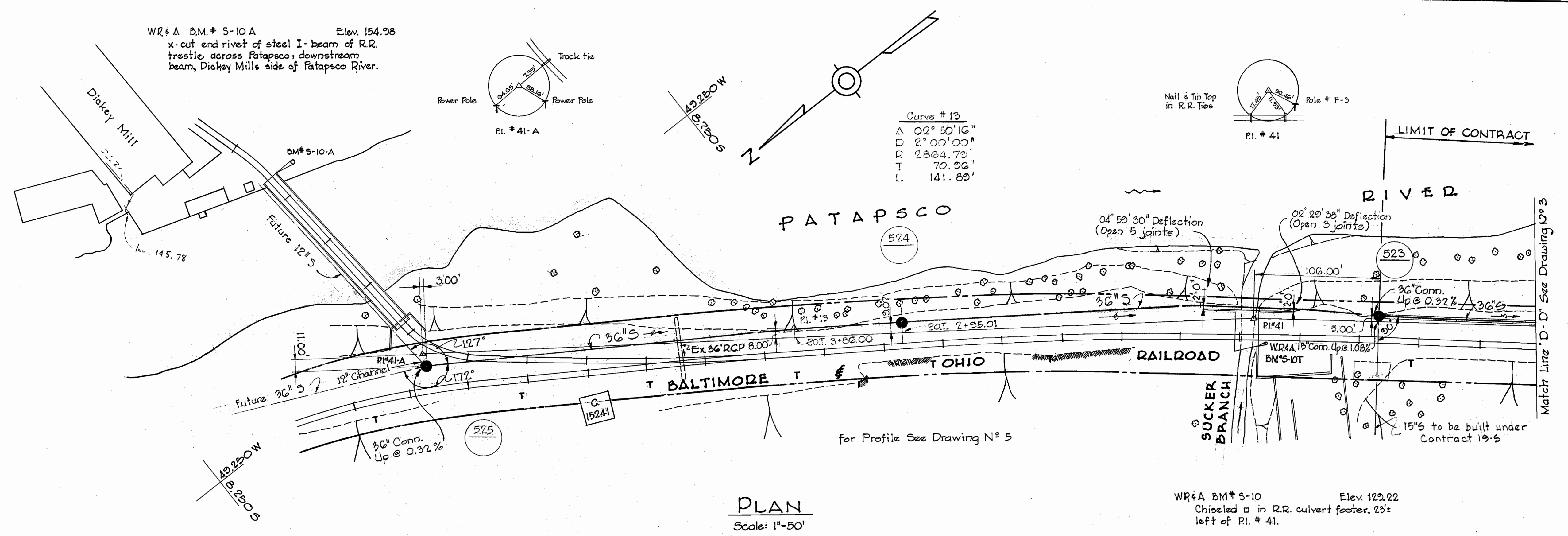
DRAWING NO. 2 OF 5 SCALE 1" = 50'

WS 255/2

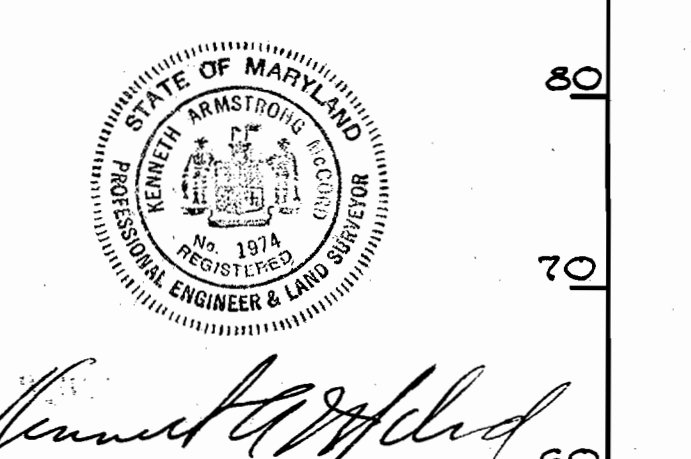
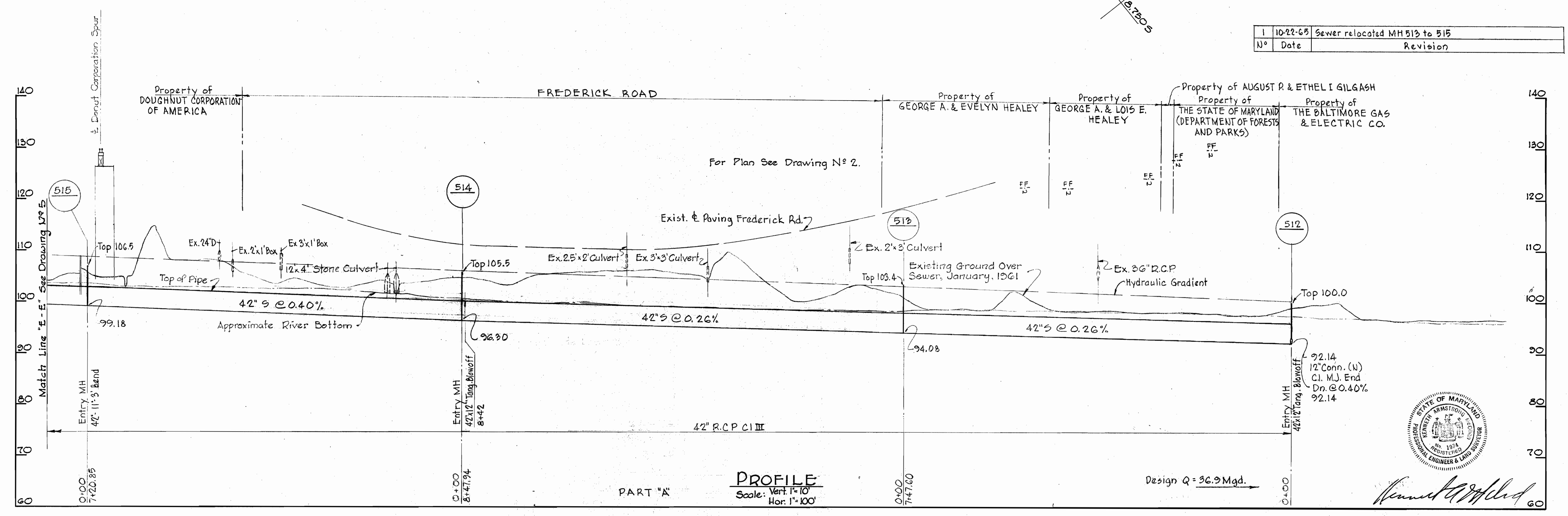
WS 255/3



WHITMAN, REQUARDT & ASSOCIATES ENGINEERS 1304 ST. PAUL ST. BALTIMORE, MARYLAND	HOWARD COUNTY METROPOLITAN COMMISSION Feb 6, 1964 <i>Carl W. Meyer</i> CHIEF ENGINEER	CONTRACT NO. 25-S	PLAN OF SEWER MAINS	ELLICOTT CITY SUB-DISTRICT	DRAWING NO. 3 OF 5 SCALE 1" = 50' 10/11/25/54 FB#2995
---	--	-------------------	------------------------	----------------------------	--

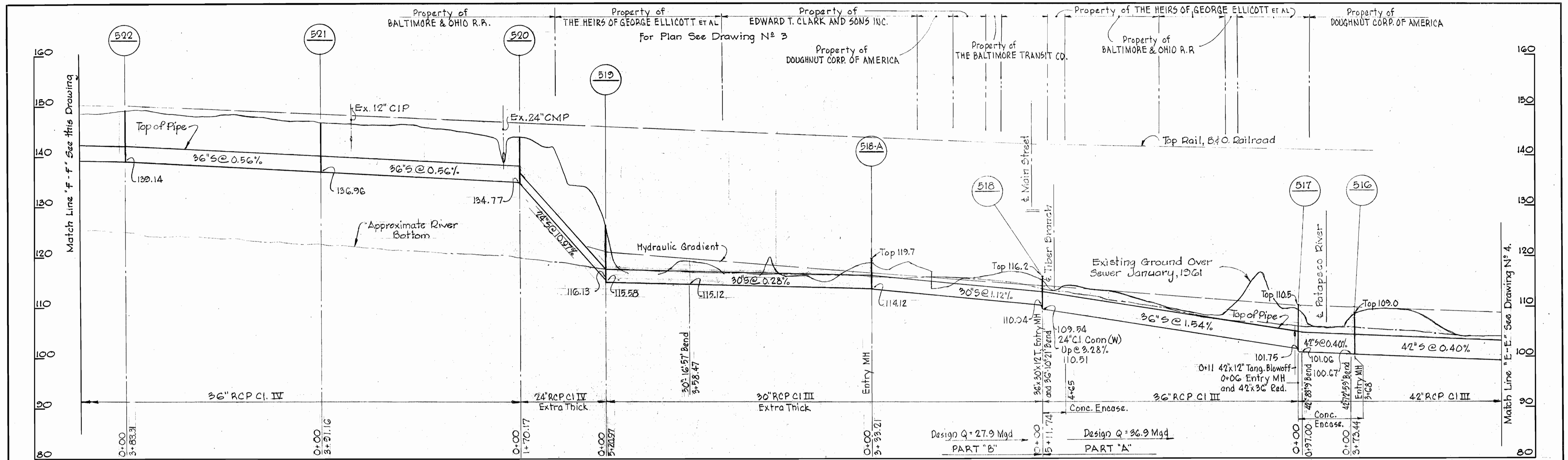


No.	Date	Revision
1	10-22-65	Sewer relocated MH 513 to 515



WHITMAN, REQUARDT & ASSOCIATES ENGINEERS 1304 ST. PAUL ST. BALTIMORE, MARYLAND	HOWARD COUNTY METROPOLITAN COMMISSION Feb. 6, 1964 DATE <i>Carl W. Meyer</i> CHIEF ENGINEER	CONTRACT NO. 25-S	PLAN AND PROFILE OF SEWER MAINS	ELLICOTT CITY SUB-DISTRICT	DRAWING NO. 4 OF 5 SCALE AS SHOWN
---	---	-------------------	------------------------------------	----------------------------	--------------------------------------

WS 25S/4

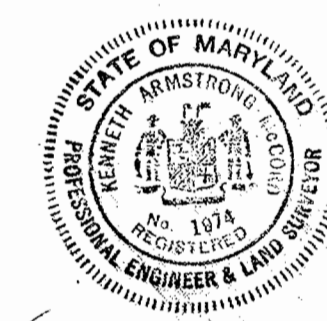
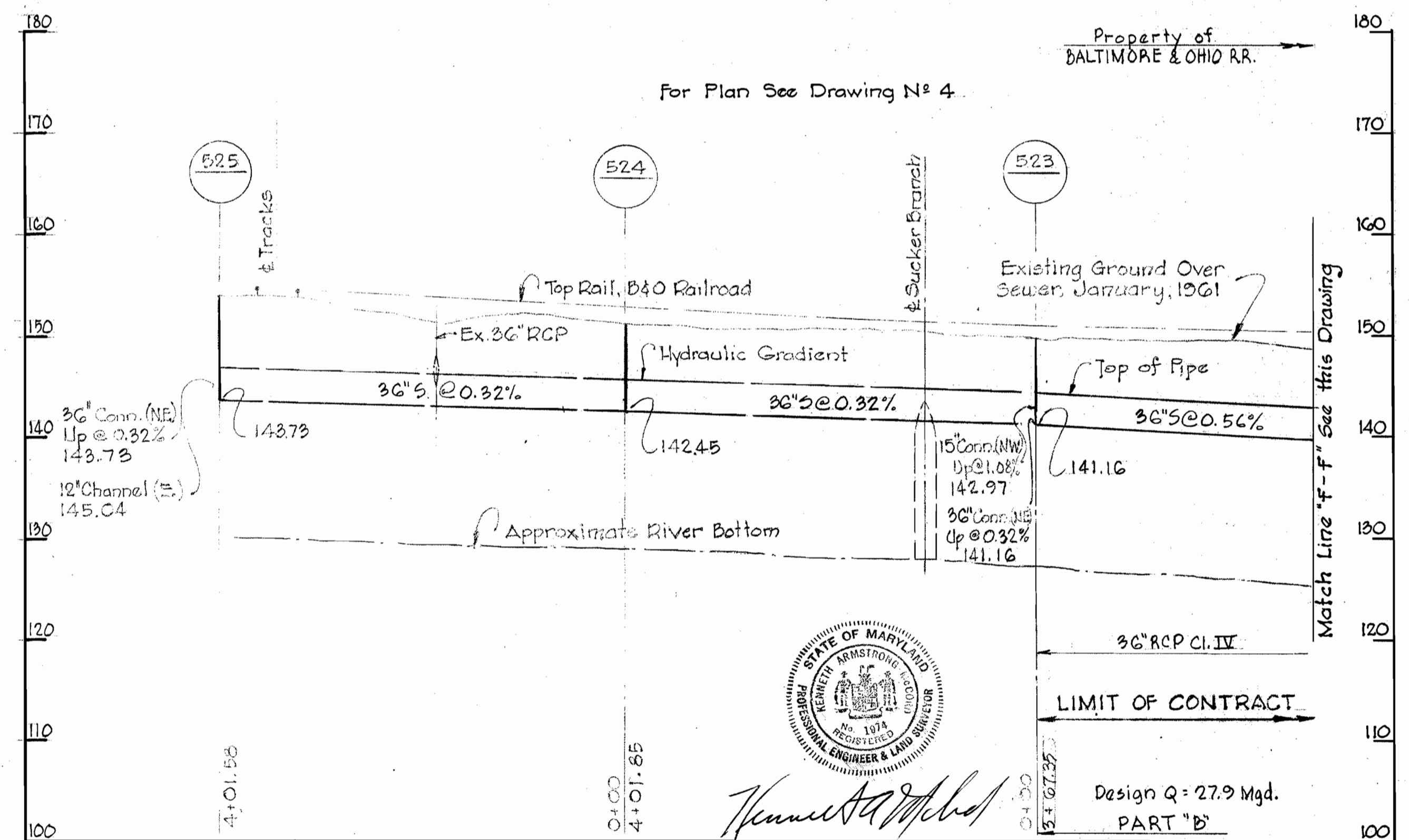
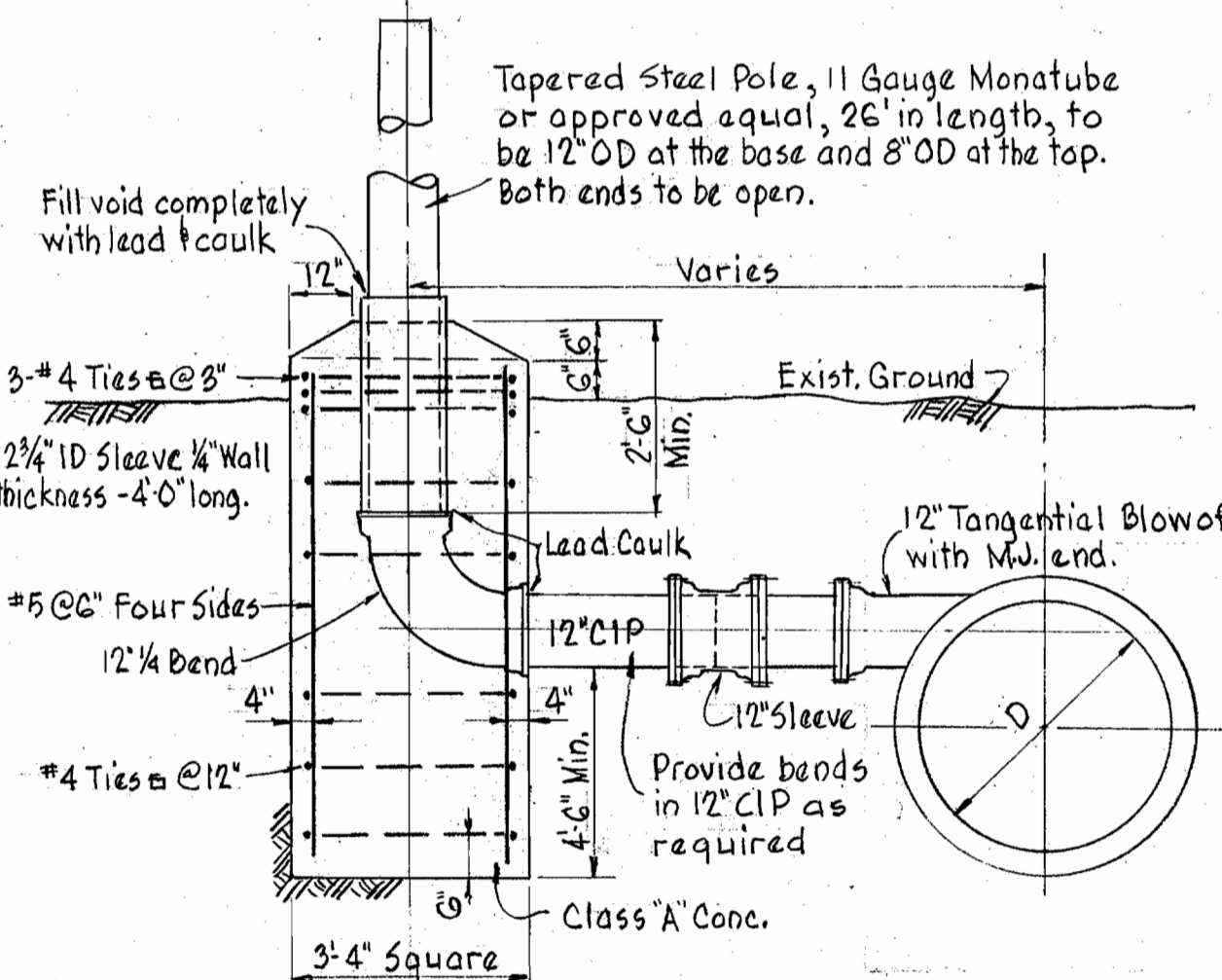
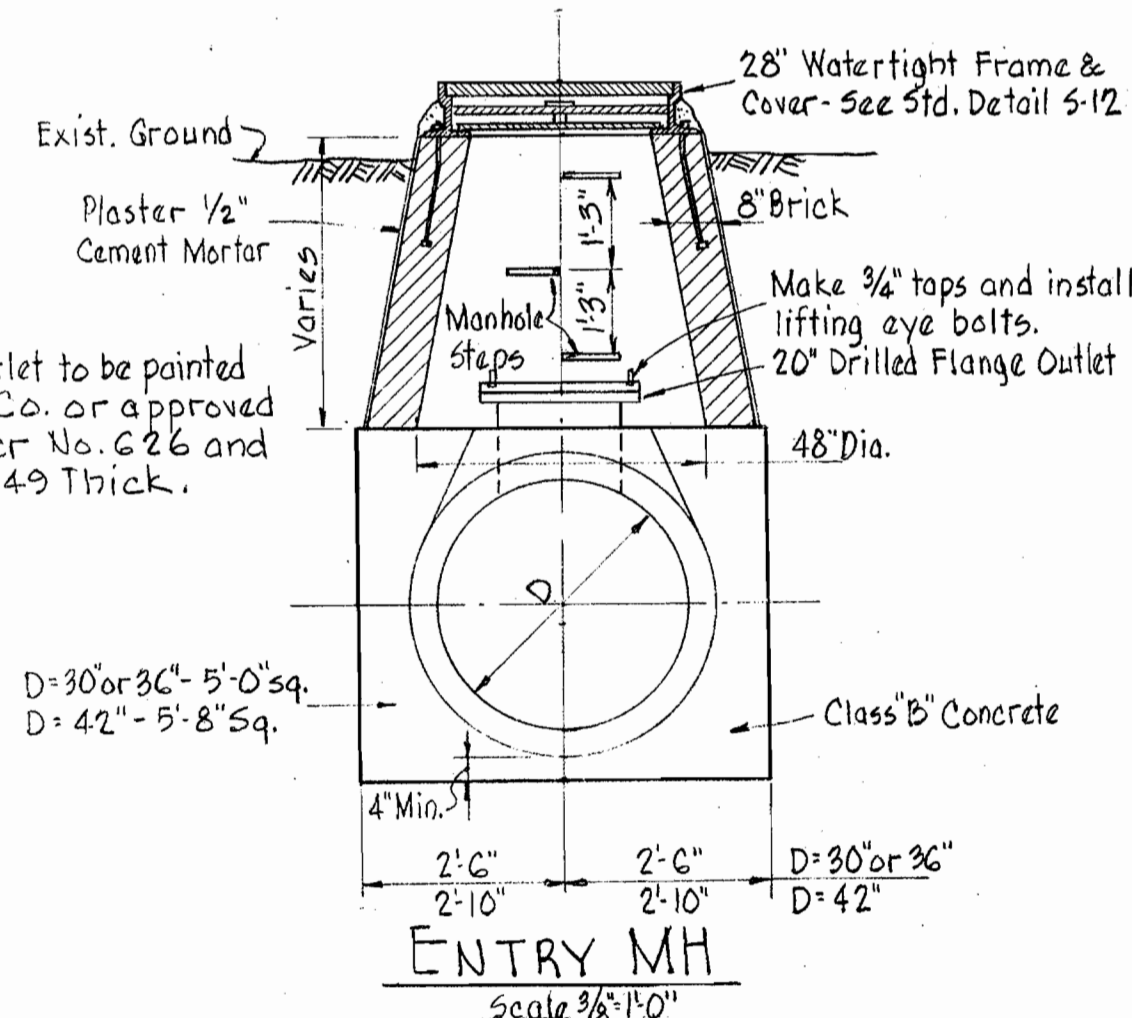


Note
Manholes No. 519 to No 523
shall be Standard Manholes
5'-0" Dia.

GENERAL NOTES

1. Approximate location of existing mains are shown. The Contractor shall take all necessary precautions to protect the existing mains and services and maintain uninterrupted supply. Any damage incurred shall be repaired immediately.
2. All pipe elevations shown are invert elevation.
3. The Contractor shall locate existing utilities a minimum of two weeks in advance of construction operations in vicinity of utilities.
4. For all standard details, see standards bound in the specifications.
5. All sewers shall be VCPX, CSPX or Asbestos Cement Class 2400 unless otherwise noted.
6. Build all manholes to existing ground or paving unless otherwise noted.
7. Clear all poles by 2'-0" minimum or tunnel as required. Clear all utilities by 6" minimum.

Note
Steel Pole to be painted as follows, paint to be Inertal Co. or approved equal.
(a) Interior - Primer No. 626 and 3 coats No. 49 Thick.
(b) Exterior - Primer No. 622 and 2 coats of Glamortex Enamel No. 306 (1.4 mil per coat)



PROFILE
Vert. 1"=10'
Scale Horz. 1"=100'

Contract No. 25-S

<p>WHITMAN, REQUARDT & ASSOCIATES ENGINEERS 1304 ST. PAUL ST. BALTIMORE, MARYLAND</p>	<p>HOWARD COUNTY METROPOLITAN COMMISSION February 6, 1964 DATE</p>	<p>CONTRACT NO. 25-S</p>	<p>PROFILE OF SEWER MAINS</p>	<p>ELLICOTT CITY SUB-DISTRICT</p>	<p>DRAWING NO. 5 OF 5 SCALE AS SHOWN</p>
---	--	--------------------------	-----------------------------------	-----------------------------------	--

WS 255/5