

*Whitman, Requardt & Associates*

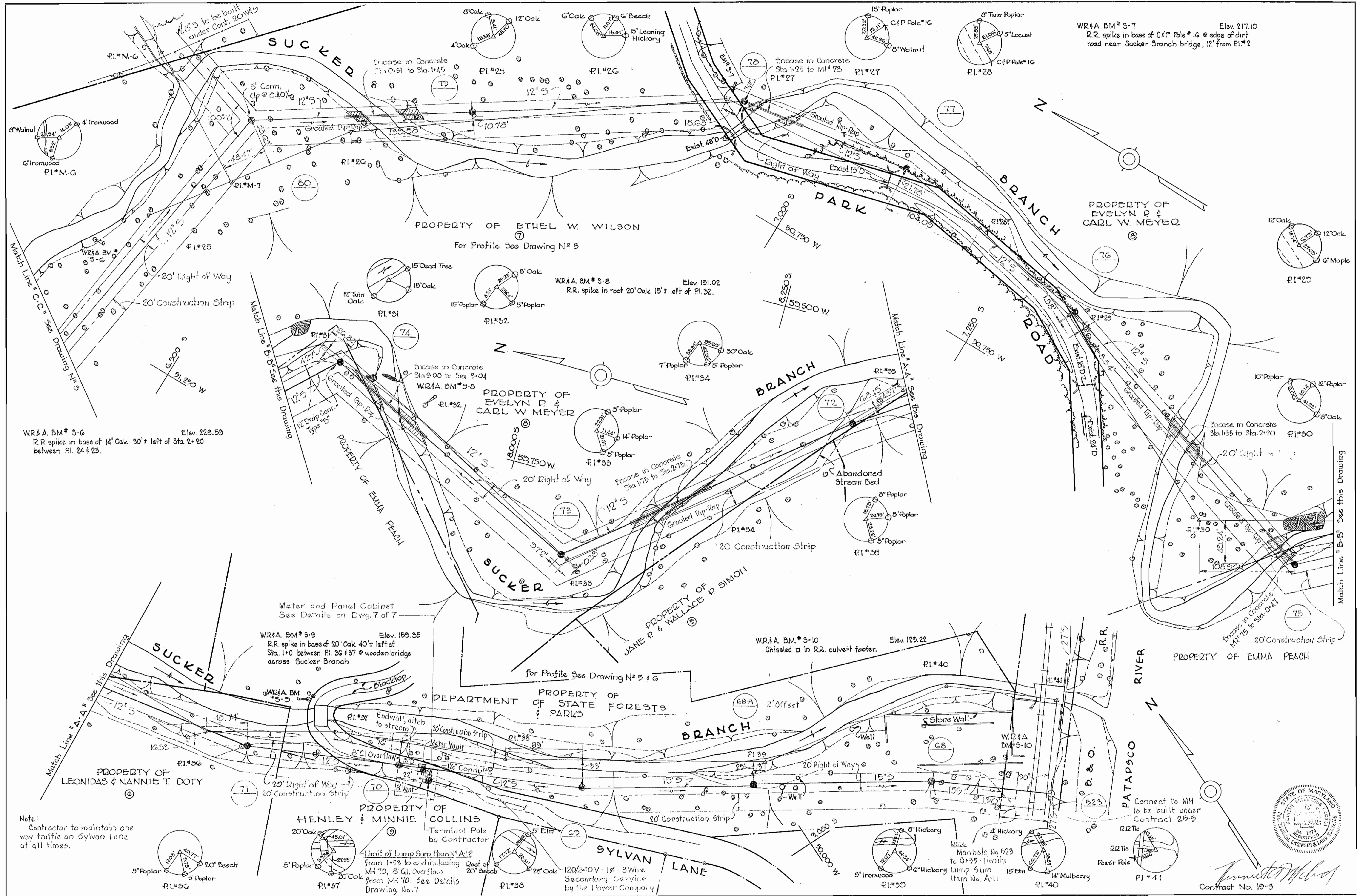
WHITMAN, REQUARDT & ASSOCIATES ENGINEERS 1304 ST. PAUL ST. BALTIMORE, MARYLAND	HOWARD COUNTY METROPOLITAN COMMISSION Dec. 11, 1963 <small>DATE</small>	CONTRACT NO. 19 S	LOCATION MAP	ELLICOTT CITY SUB-DISTRICT	DRAWING NO. 1 OF 7 SCALE AS SHOWN
---	---	-------------------	--------------	----------------------------	--------------------------------------

W. O. 4917-2

AS BUILT 15 DEC., 1965

WS 19S/1

WS 19S/2



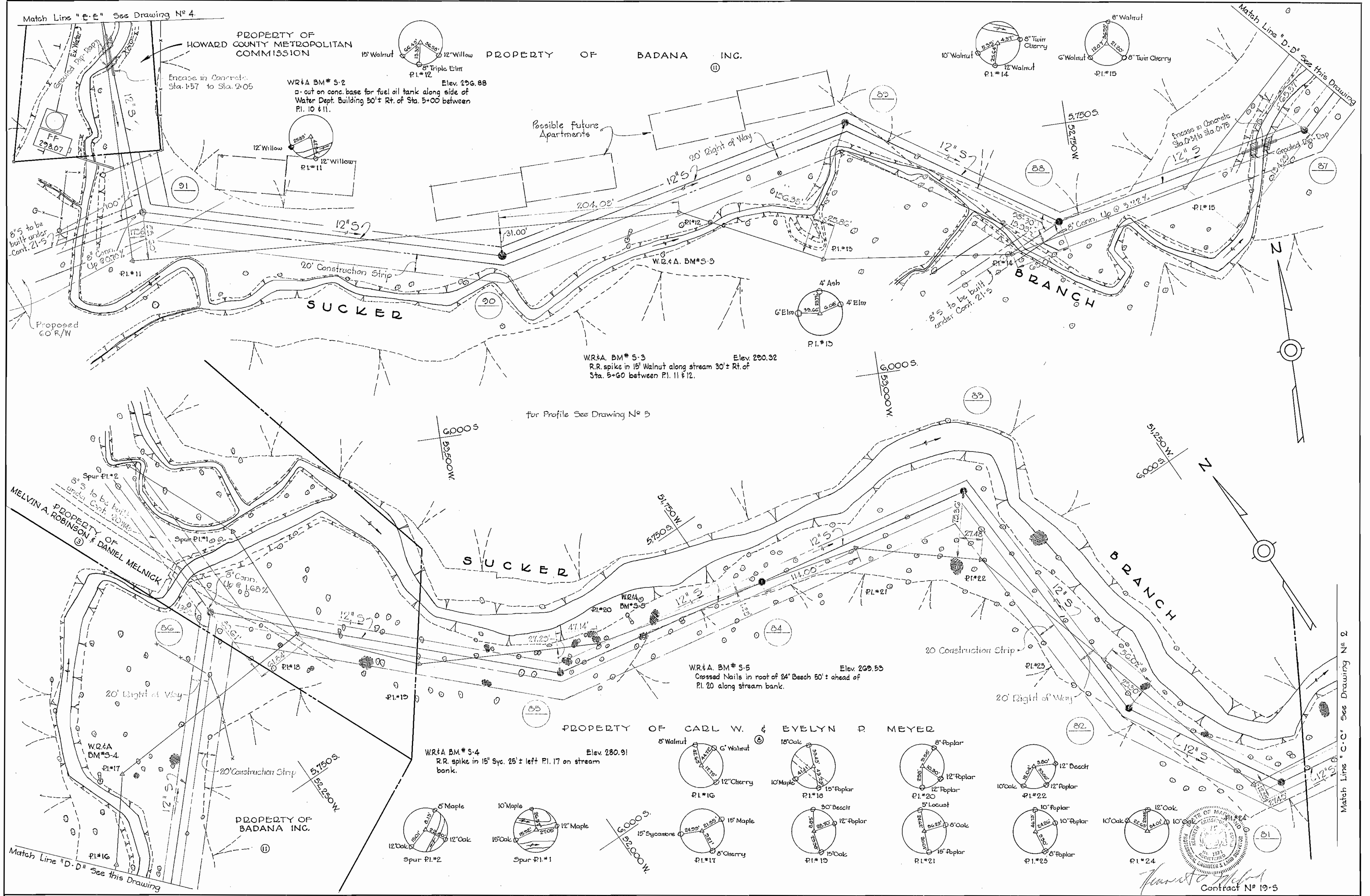
WHITMAN, REQUARDT & ASSOCIATES ENGINEERS 1304 ST. PAUL ST. BALTIMORE, MARYLAND	HOWARD COUNTY METROPOLITAN COMMISSION DATE: Dec. 11, 1963 CHIEF ENGINEER	CONTRACT NO. 19-S	PLAN OF SEWER MAINS	ELLICOTT CITY SUB-DISTRICT	DRAWING NO. 2 OF 7 SCALE 1"=50' Contract No. 19-S
---	--	-------------------	------------------------	----------------------------	---

4917-2

AS BUILT 15 DEC. 65



FB 2512 12515

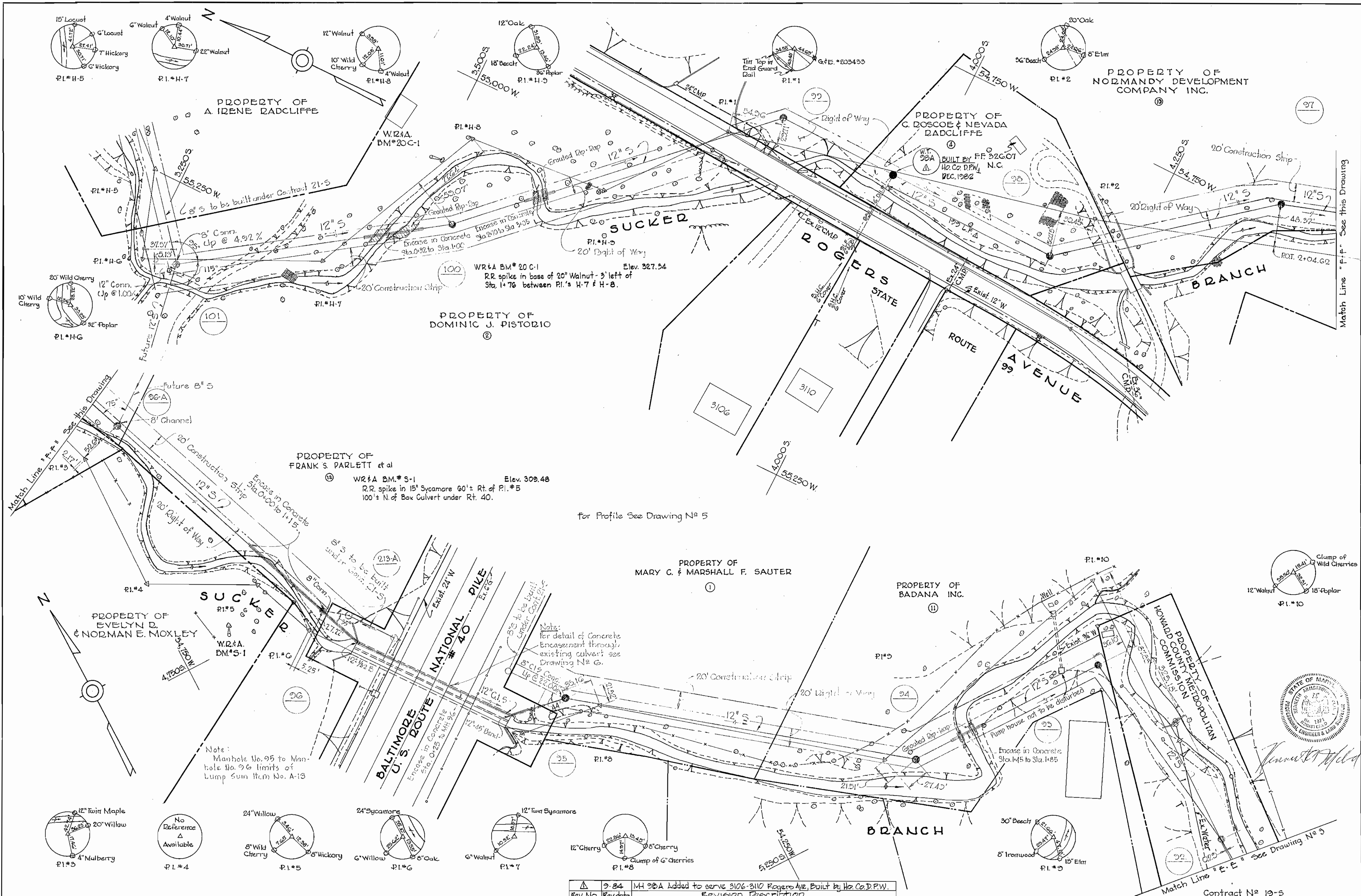


WS 195/3

WHITMAN, REQUARDT & ASSOCIATES ENGINEERS 1304 ST. PAUL ST. BALTIMORE, MARYLAND	HOWARD COUNTY METROPOLITAN COMMISSION Dec 11, 1963 DATE	CONTRACT NO. <u>19-S</u>	PLAN OF SEWER MAINS	ELLICOTT CITY SUB-DISTRICT	DRAWING NO. <u>3</u> OF <u>7</u> SCALE 1"=50' 6.7.5W.35 2503, 2512
---	---	--------------------------	------------------------	----------------------------	--

4917-2

AS BUILT 15 DEC. 65



Rev. No.	Rev. Date	Revision Description
1	9-24	MH 98A Added to serve 3106-3110 Rogers Ave. Built by Ho. Co. D.P.W.

WHITMAN, REQUARDT & ASSOCIATES  
 ENGINEERS  
 1304 ST. PAUL ST.  
 BALTIMORE, MARYLAND

HOWARD COUNTY METROPOLITAN COMMISSION  
 DATE: Dec 11, 1963  
 CHIEF ENGINEER

CONTRACT NO. 19-S

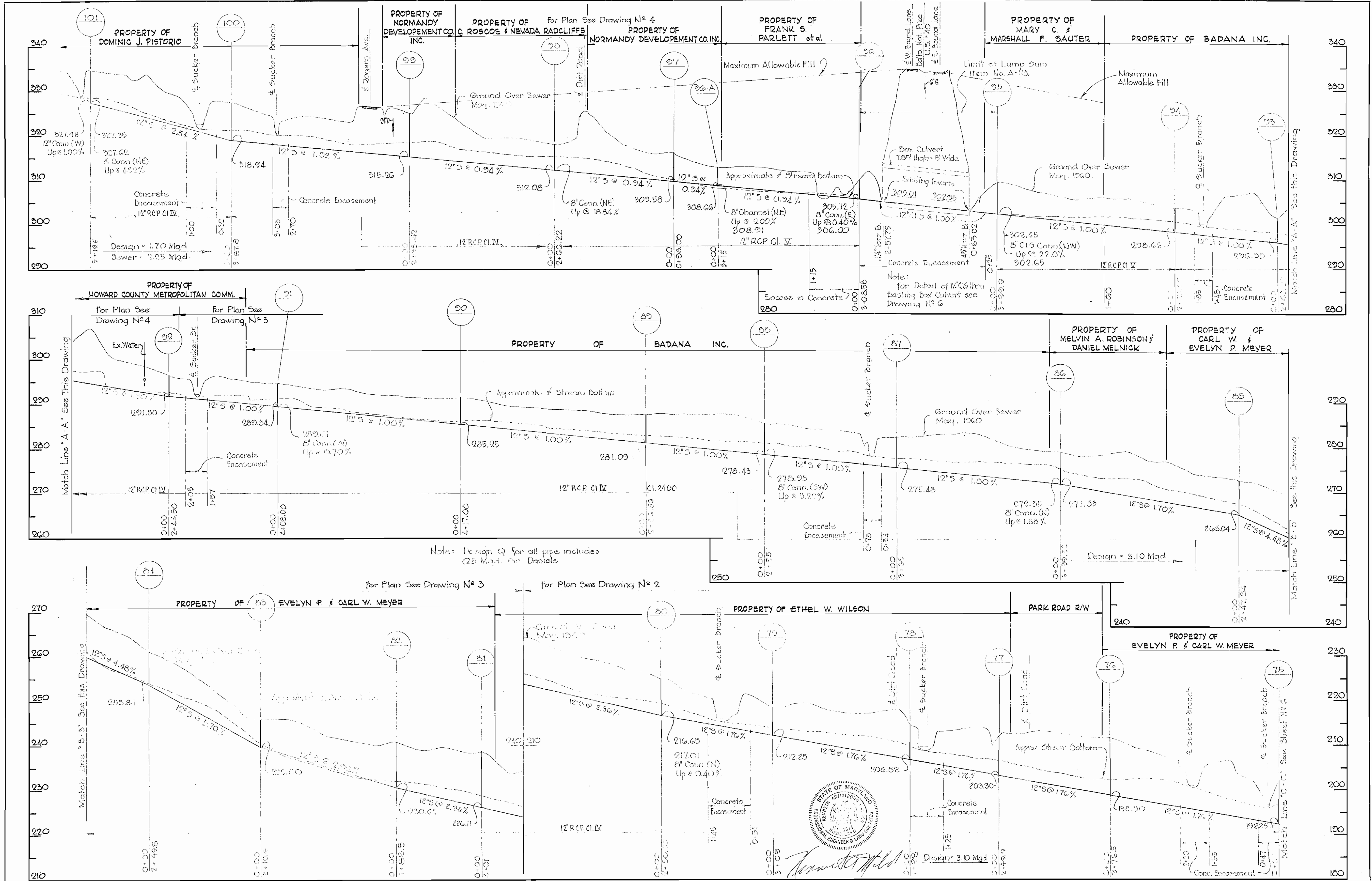
PLAN OF SEWER MAINS

ELLICOTT CITY SUB-DISTRICT

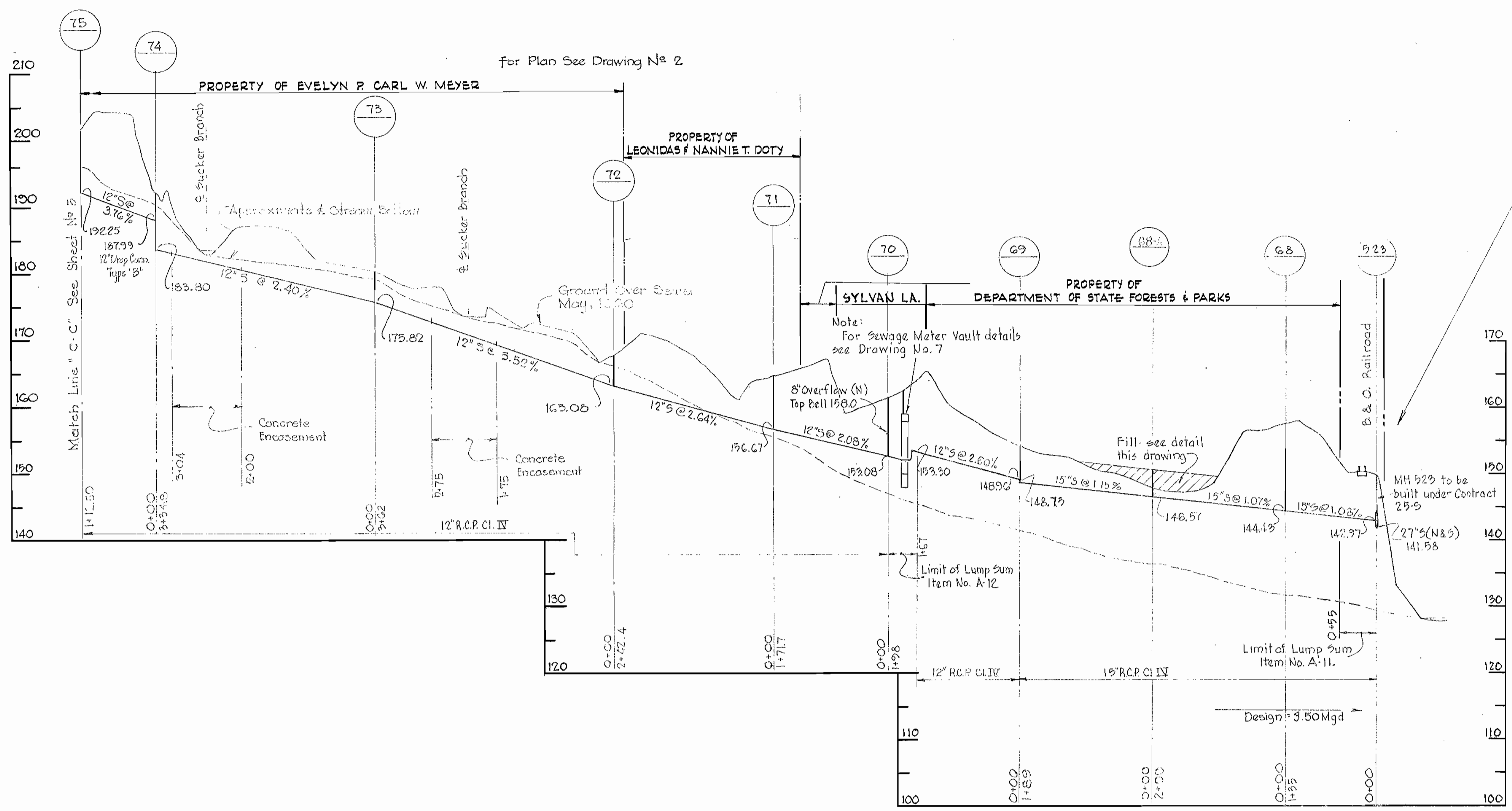
DRAWING NO. 4 OF 7 SCALE 1"=50'

WS 195/4

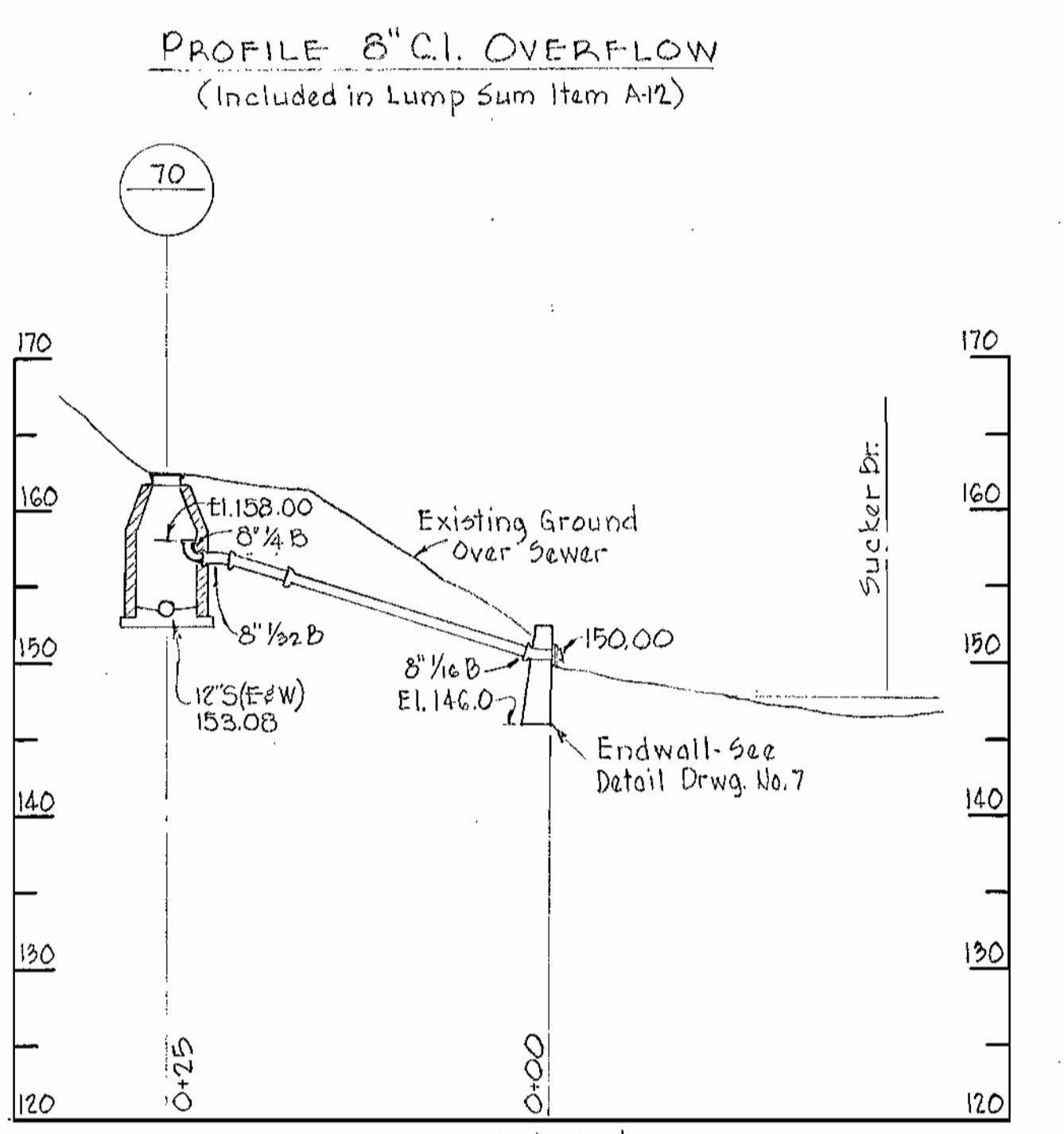
WS 195/5



WHITMAN, REQUARDT & ASSOCIATES ENGINEERS 1304 ST. PAUL ST. BALTIMORE, MARYLAND	HOWARD COUNTY METROPOLITAN COMMISSION Dec 11, 1963 DATE	CONTRACT NO. 19-S CHIEF ENGINEER	PROFILES OF SEWER MAINS	ELLICOTT CITY SUB-DISTRICT	Contract No 19-5
					DRAWING NO. 5 OF 7



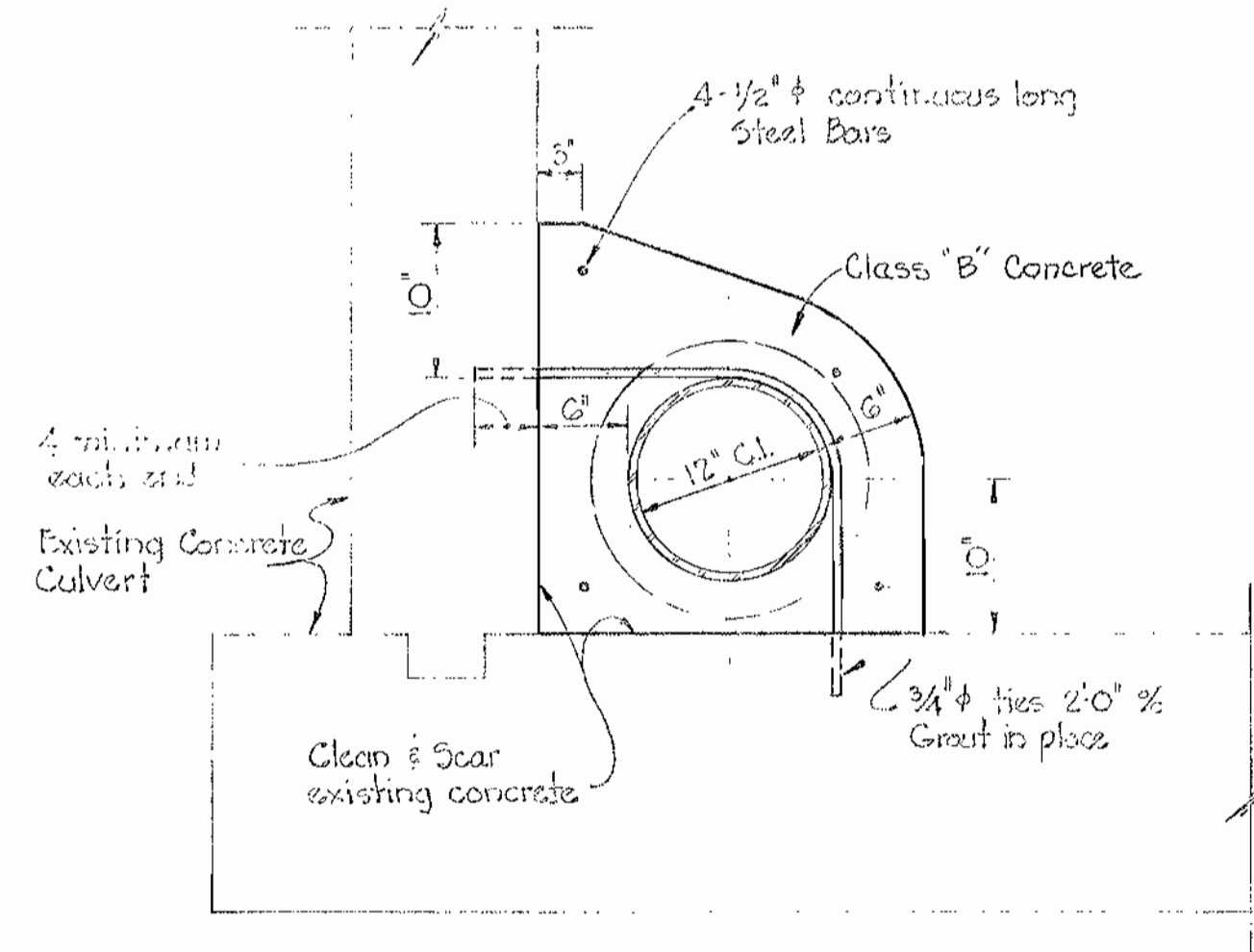
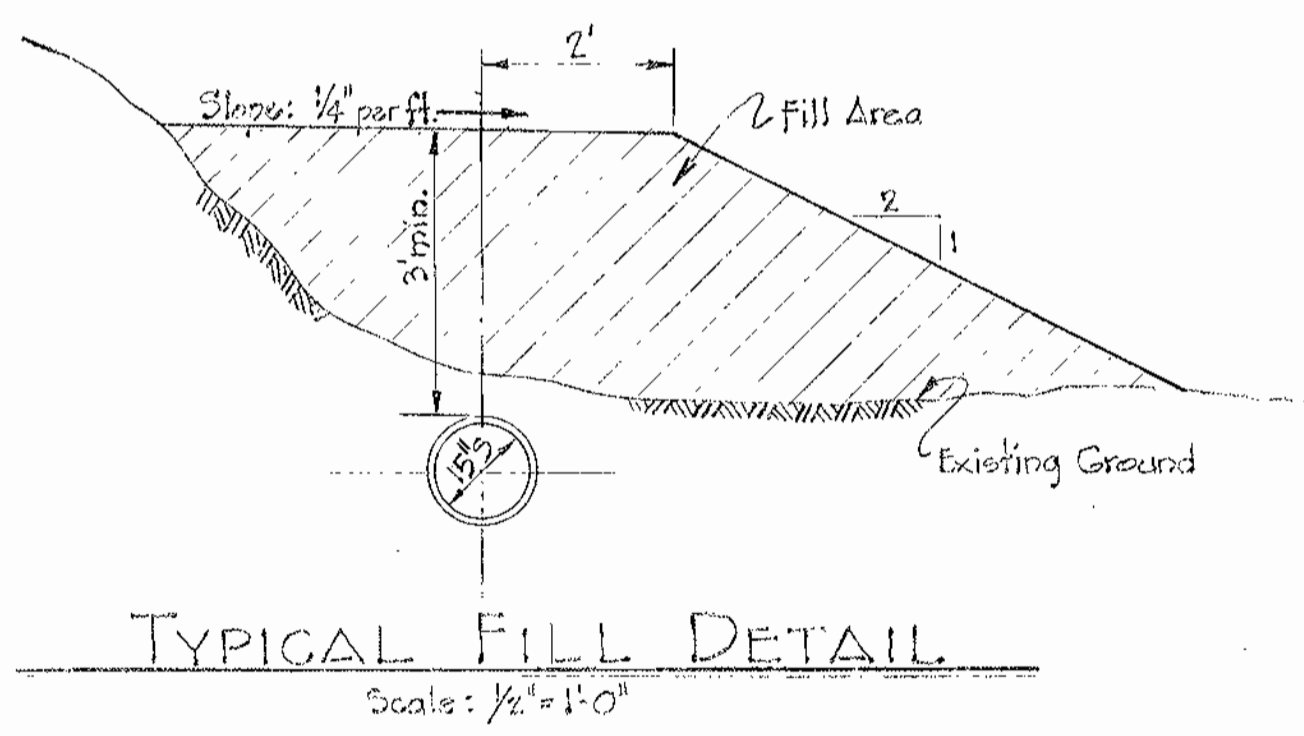
Note:  
The contractor shall excavate and tight sheet the sewer trench to within 10' of the centerline of the tracks prior to crossing the railroad. Four working hours will be allowed for the actual crossing of the tracks; the time and date will be as approved by the B. & O. Railroad. The backfill of the trench shall be mechanically tamped in 6" layers. In the event rock is encountered during the excavation of the trench and the crossing of the tracks cannot be completed in four hours, the rails shall be properly supported, as approved by the Engineer, in order to continue the trenching work.



**GENERAL NOTES**

1. Approximate location of existing mains are shown. The Contractor shall take all necessary precautions to protect the existing mains and services and maintain uninterrupted supply. Any damage incurred shall be repaired immediately.
2. All pipe elevations shown are invert  $\phi$  elevations.
3. The Contractor shall locate existing utilities a minimum of two weeks in advance of construction operations in vicinity of utilities.
4. For all standard details see Standards bound in Specifications.
5. All 8" C.I. Pipe shall be Class 22 and all 12" C.I. Pipe to be Class 23.
6. Build all manholes to existing ground or paving unless otherwise noted.
7. All sewers shall be V.C.P.X., C.S.P.X. or Asbestos Cement Class 2400 unless otherwise noted.
8. Cost of grouted rip rap to be included in the unit price bid for excavation and backfill of sewer mains.
9. Clear all poles by 2'-0" minimum or tunnel as required. Clear all existing utilities by 6" minimum.

Note: Cost of fill over pipe to be included in unit cost bid for excavation and backfill of sewer.



DETAIL OF CONCRETE ENCASEMENT  
Scale: 1" = 1'-0"

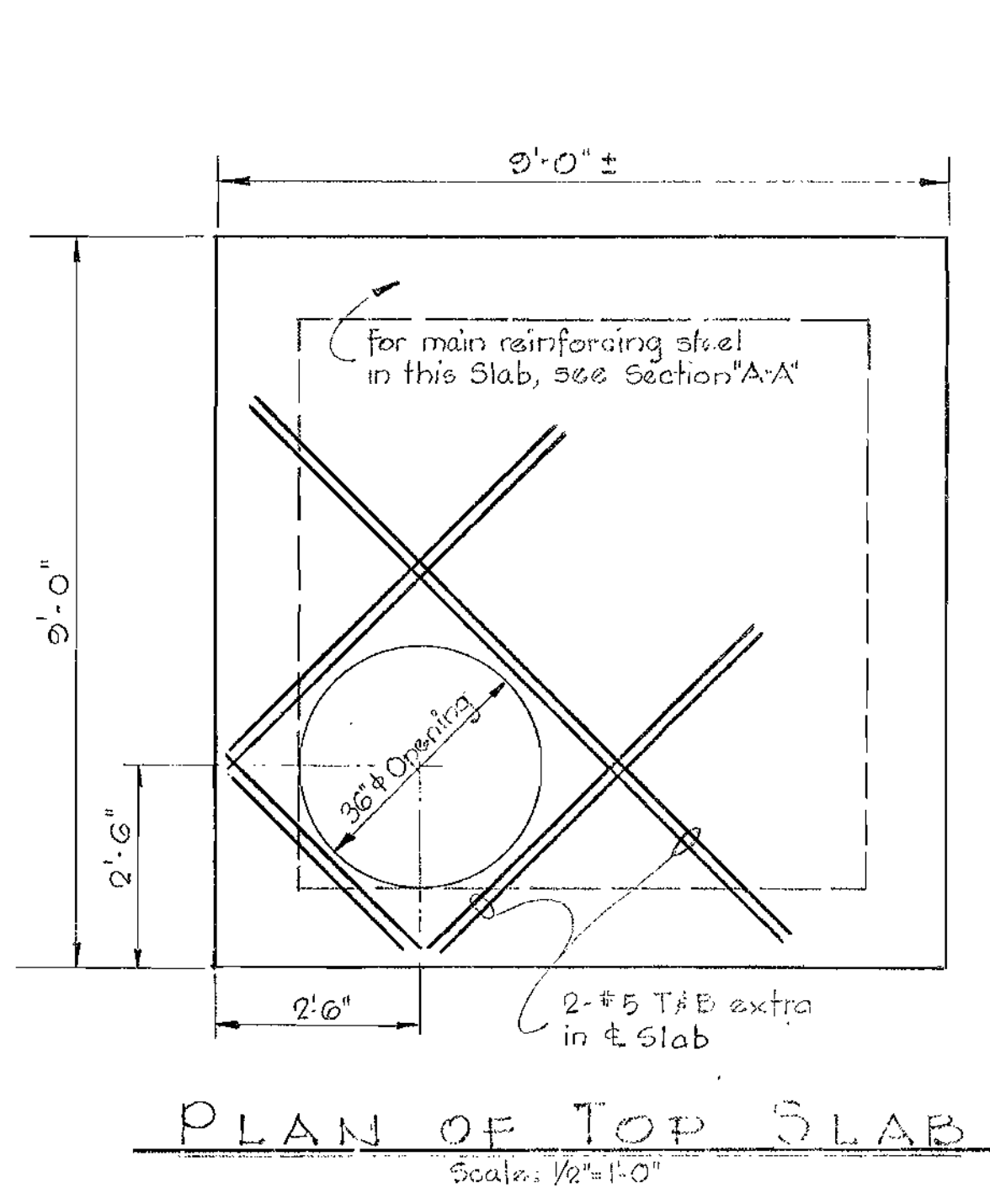
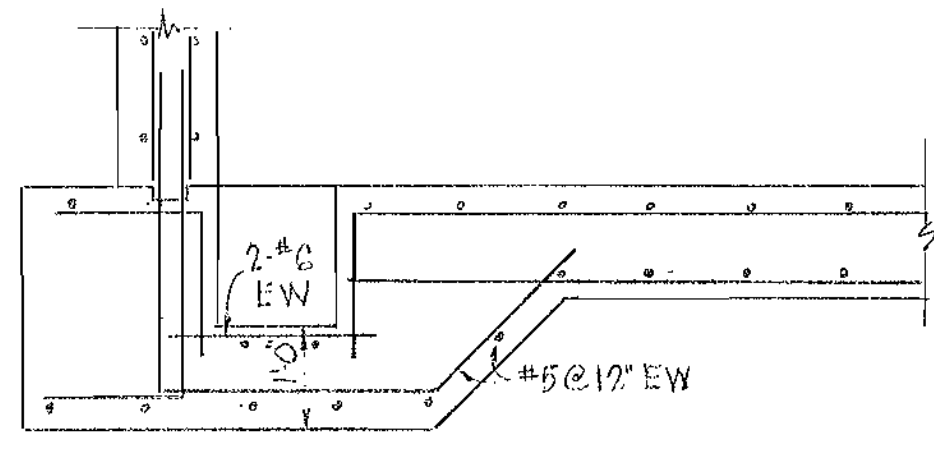
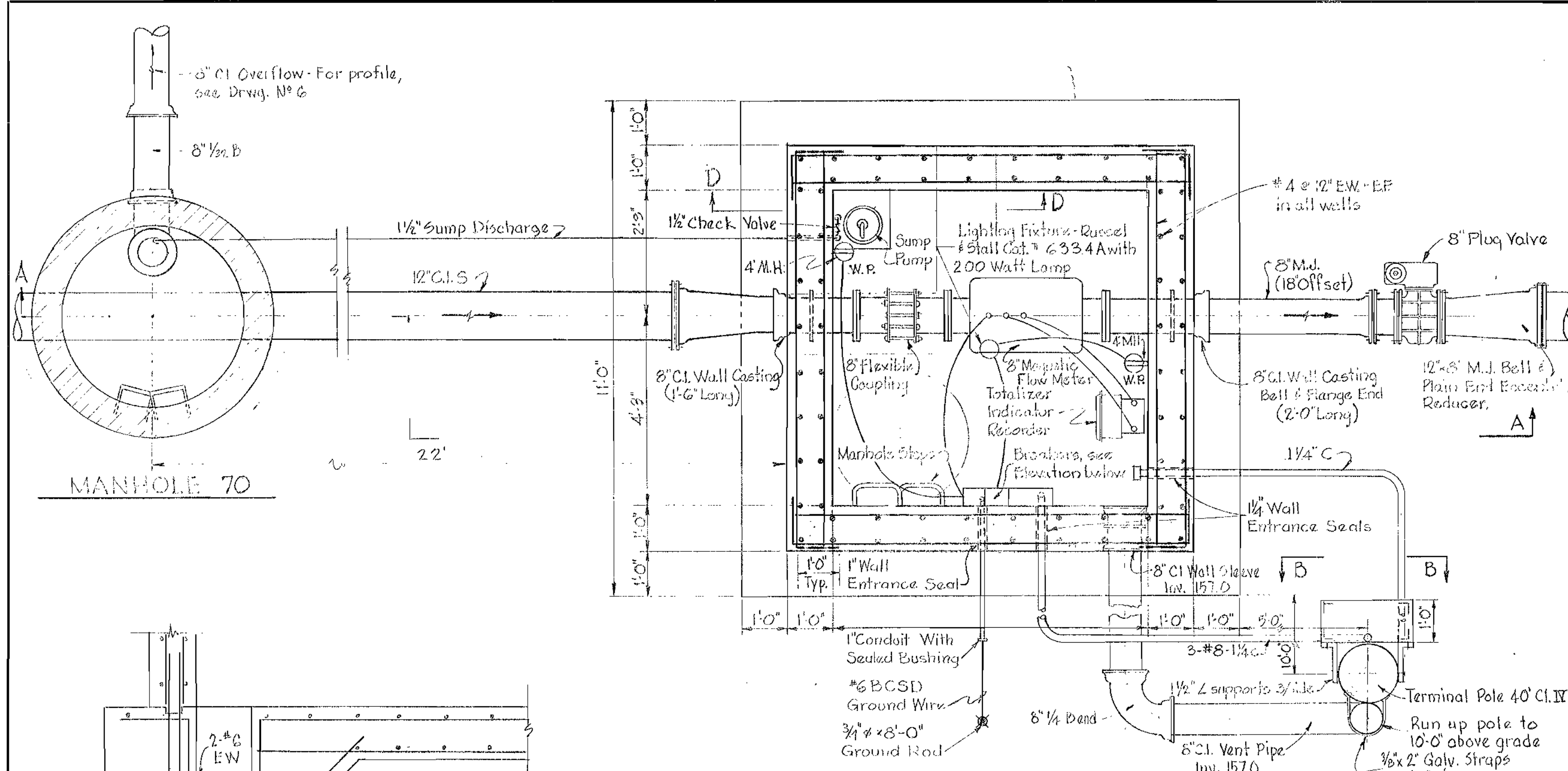
Professional Engineer Seal for Howard County, Maryland, dated Dec 11, 1963. Signature of the engineer is present.

Contract No. 19-S

WHITMAN, REQUARDT & ASSOCIATES ENGINEERS 1304 ST. PAUL ST. BALTIMORE, MARYLAND	HOWARD COUNTY METROPOLITAN COMMISSION Dec. 11, 1963 DATE	CONTRACT NO. 19-S CHIEF ENGINEER	PROFILES OF SEWER MAINS	ELLCOTT CITY SUB-DISTRICT	DRAWING NO. 6 OF 7	SCALE H: 1"=100' V: 1"=10'
---	--	-------------------------------------	-------------------------	---------------------------	--------------------	----------------------------

AS BUILT 15 DEC 65

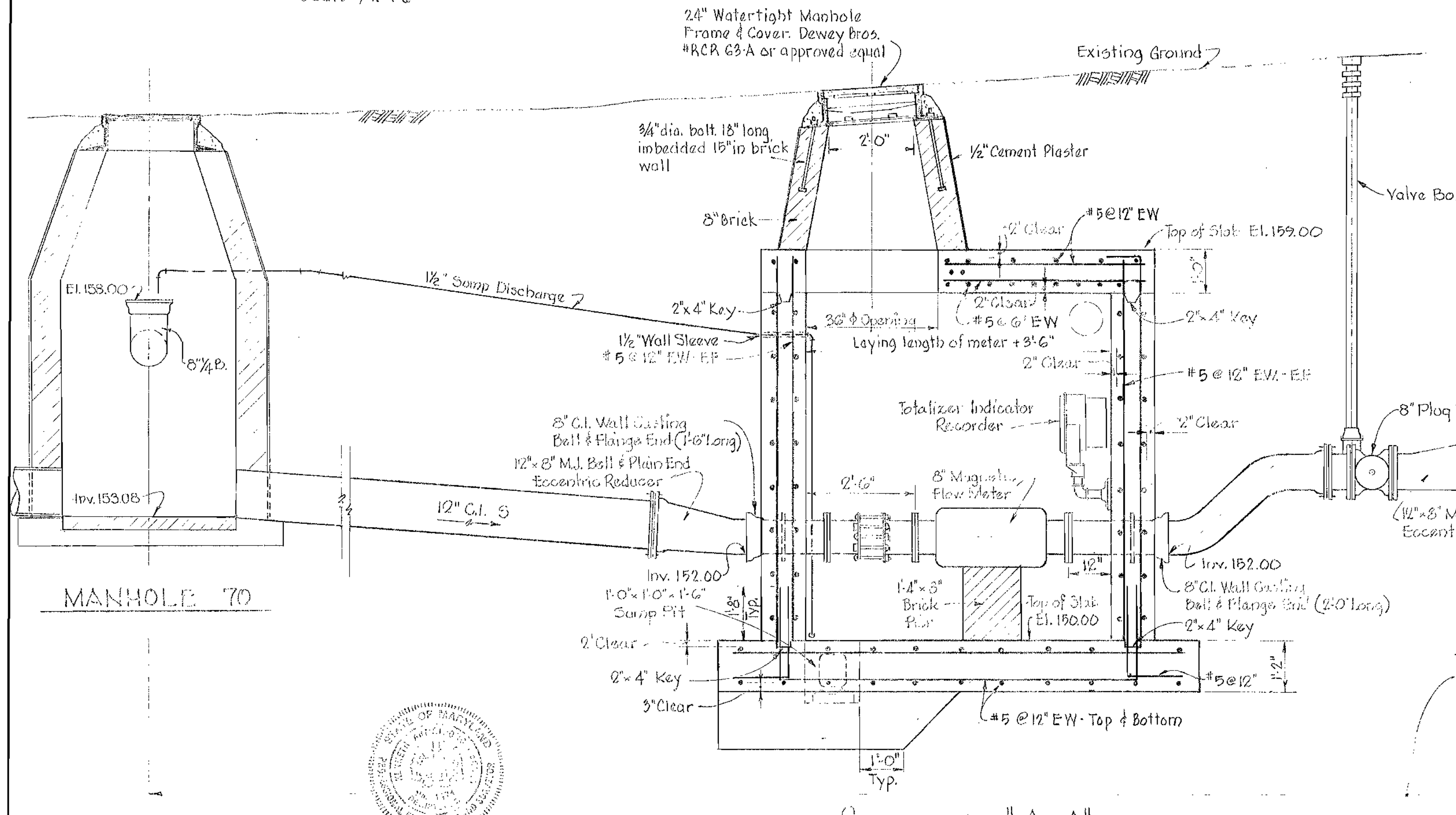
WS 195/6



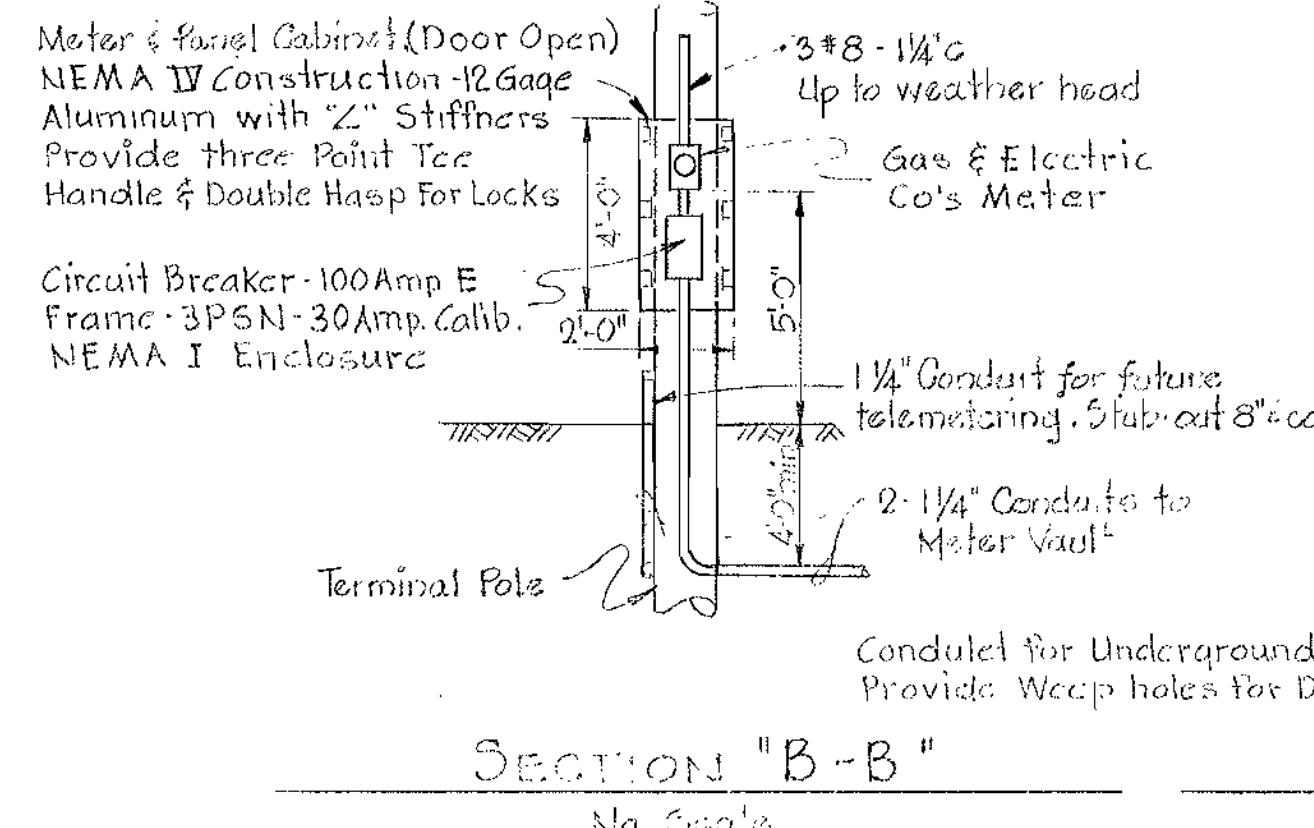
- ### STRUCTURAL NOTES
- All excavations shall be inspected by the Engineer before placing any gravel or concrete.
  - All concrete shall be Class 'A' and shall contain an air entraining admixture, 'Darex' or an approved equal. The amount of air entrained shall be 4.5% ± 15% by volume.
  - All concrete poured in temperatures above 50°F shall contain a retarding admixture, 'Plastimix' or an approved equal, to a proper amount resulting in a retardation of 2 to 3 hours.
  - All concrete poured in temperatures below 50°F shall contain a densifying admixture, 'Silcrete' or approved equal, at the rate of 1/2 gallons per cubic yard of concrete.

- ### PAINTING
- All items of mechanical equipment and vent pipe shall be painted as follows:
    - One shop prime coat of Inertol Rust Inhibitive Primer No. G21, or one field prime coat of Inertol Rust Penetrating Primer No. G22 or approved equal.
    - Two finish coats of Inertol Glacematex enamel No. 302 or an approved equal.
  - Outside of Meter Vault to be waterproofed with 3 coats of Inertol Standard or approved equal.

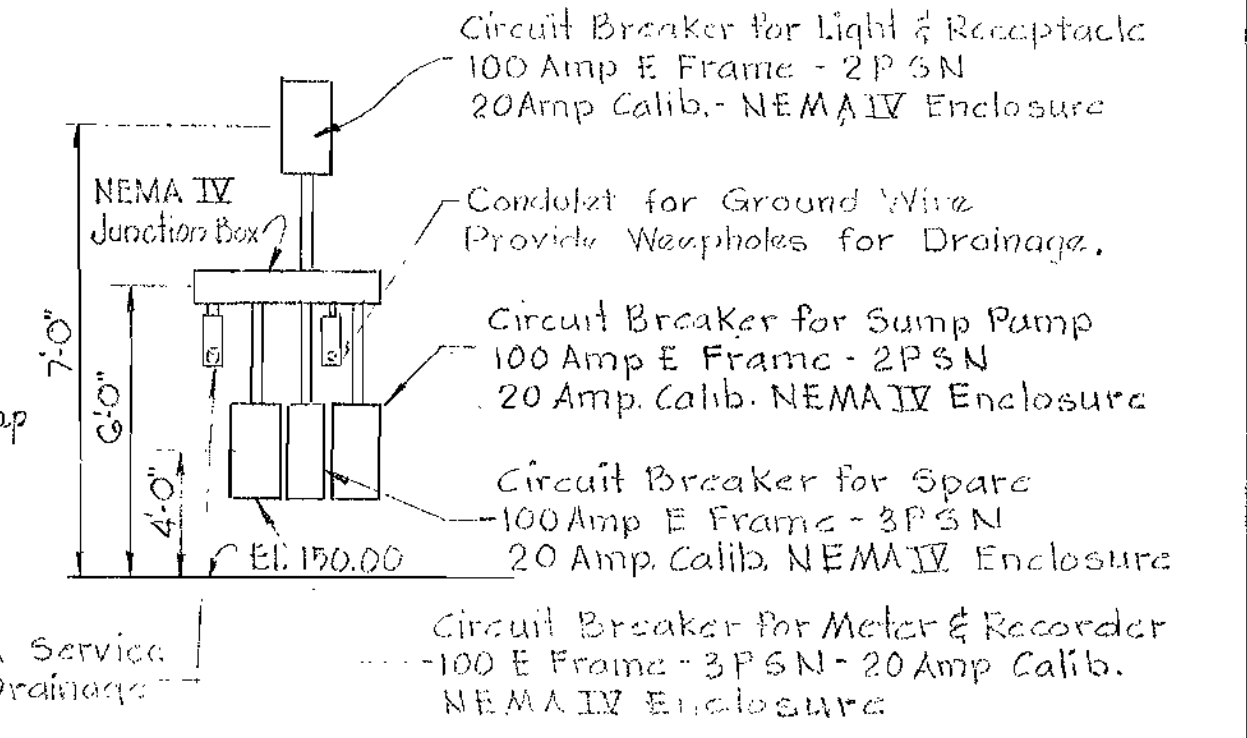
PLAN METER VAULT  
Scale: 1/2" = 1'-0"



SECTION 'A-A'  
Scale: 1/2" = 1'-0"



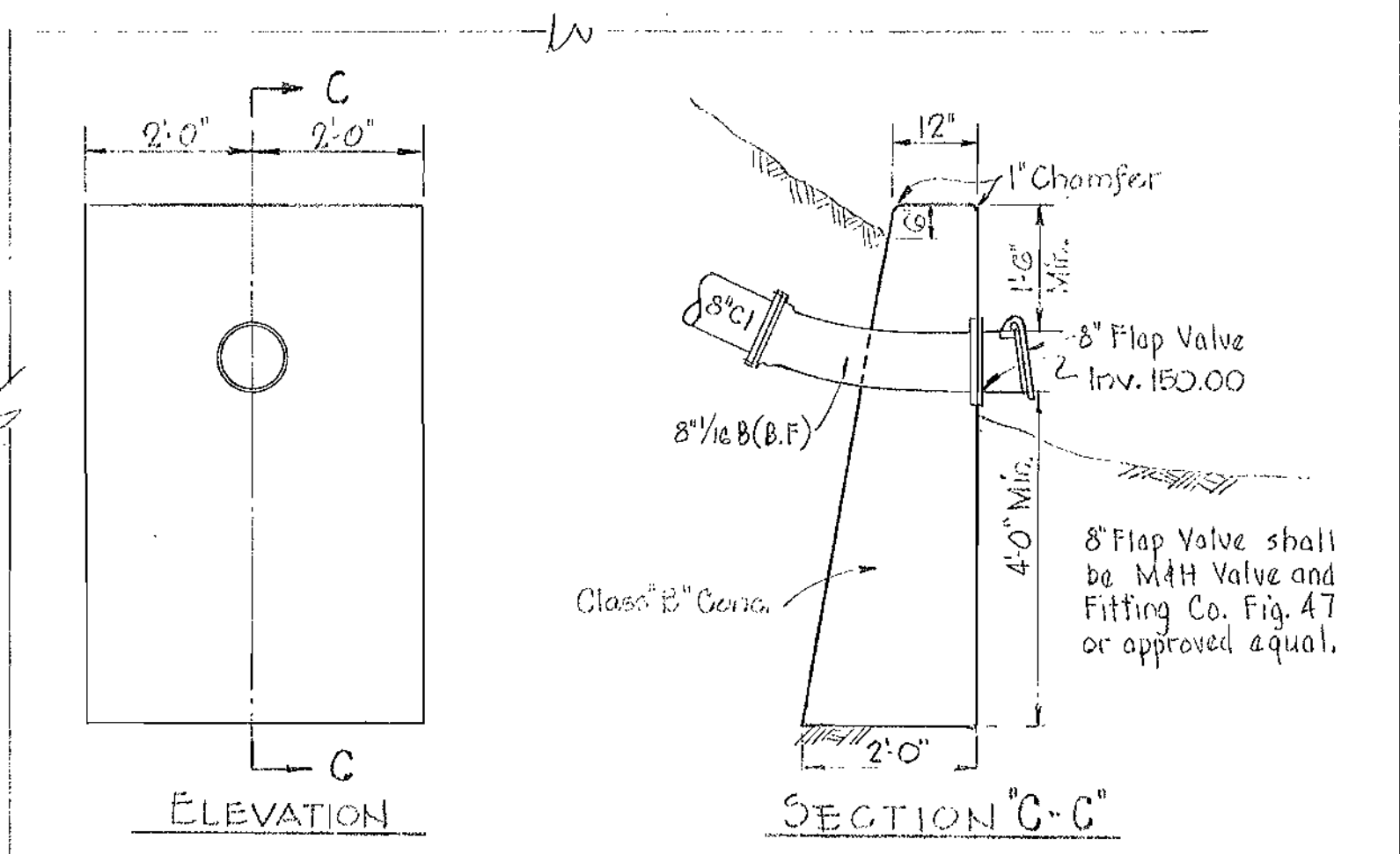
SECTION 'B-B'  
No Scale



ELEVATION OF BREAKERS  
No Scale

Note: Meter Vault, Manhole No. 70 and 6" Overflow shall be constructed under Lump Sum Item No. A-12.

DETAILS OF METER VAULT  
Scale: As Shown



ENDWALL DETAIL  
Scale: 1/2" = 1'-0"

WHITMAN, REQUARDT & ASSOCIATES ENGINEERS 1304 ST. PAUL ST. BALTIMORE, MARYLAND	HOWARD COUNTY METROPOLITAN COMMISSION Dec. 11, 1963 DATE	CONTRACT NO. 19-S	METER VAULT & DETAILS	ELLCOTT CITY SUB-DISTRICT	DRAWING NO. 7 OF 7	SCALE AS SHOWN	Contract 19-S,
---	--	-------------------	-----------------------	---------------------------	--------------------	----------------	----------------

WS 19S/7