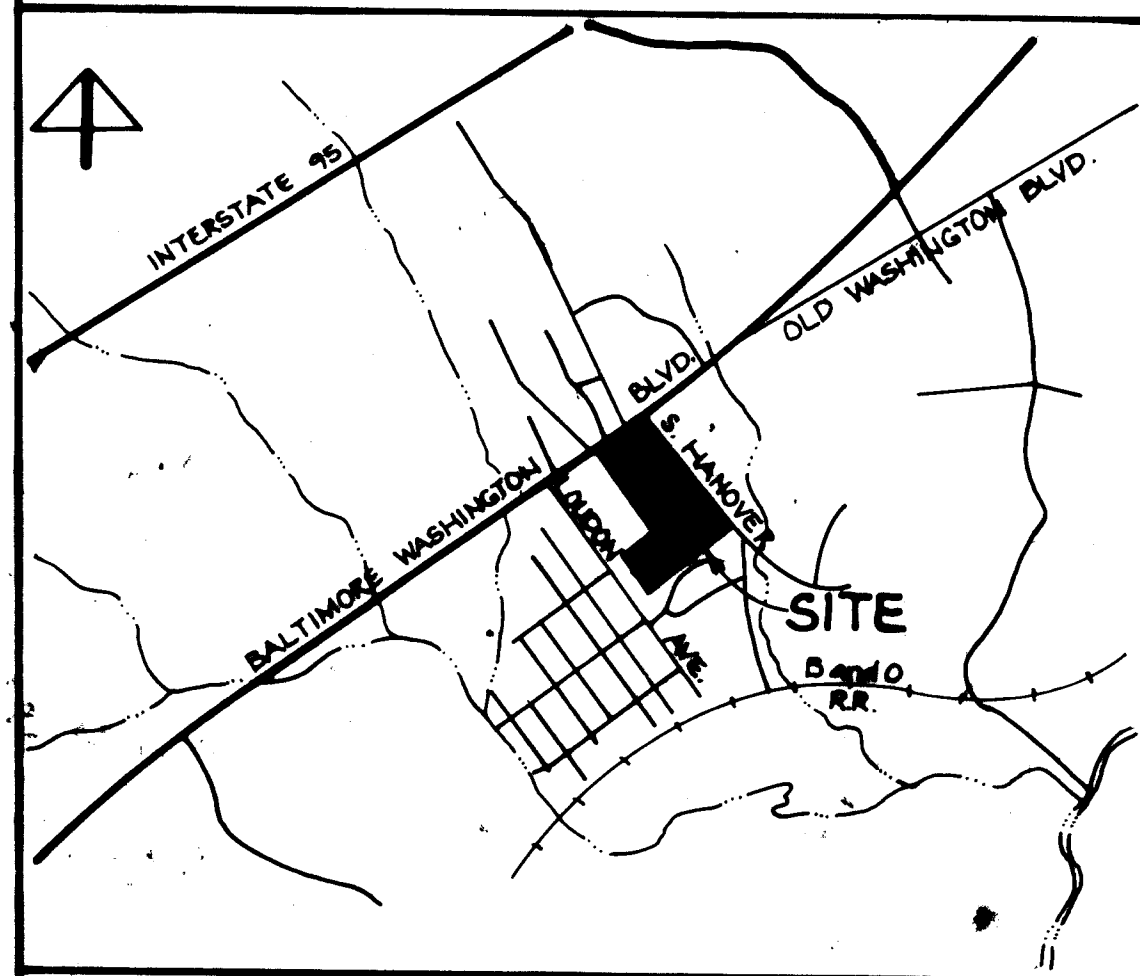
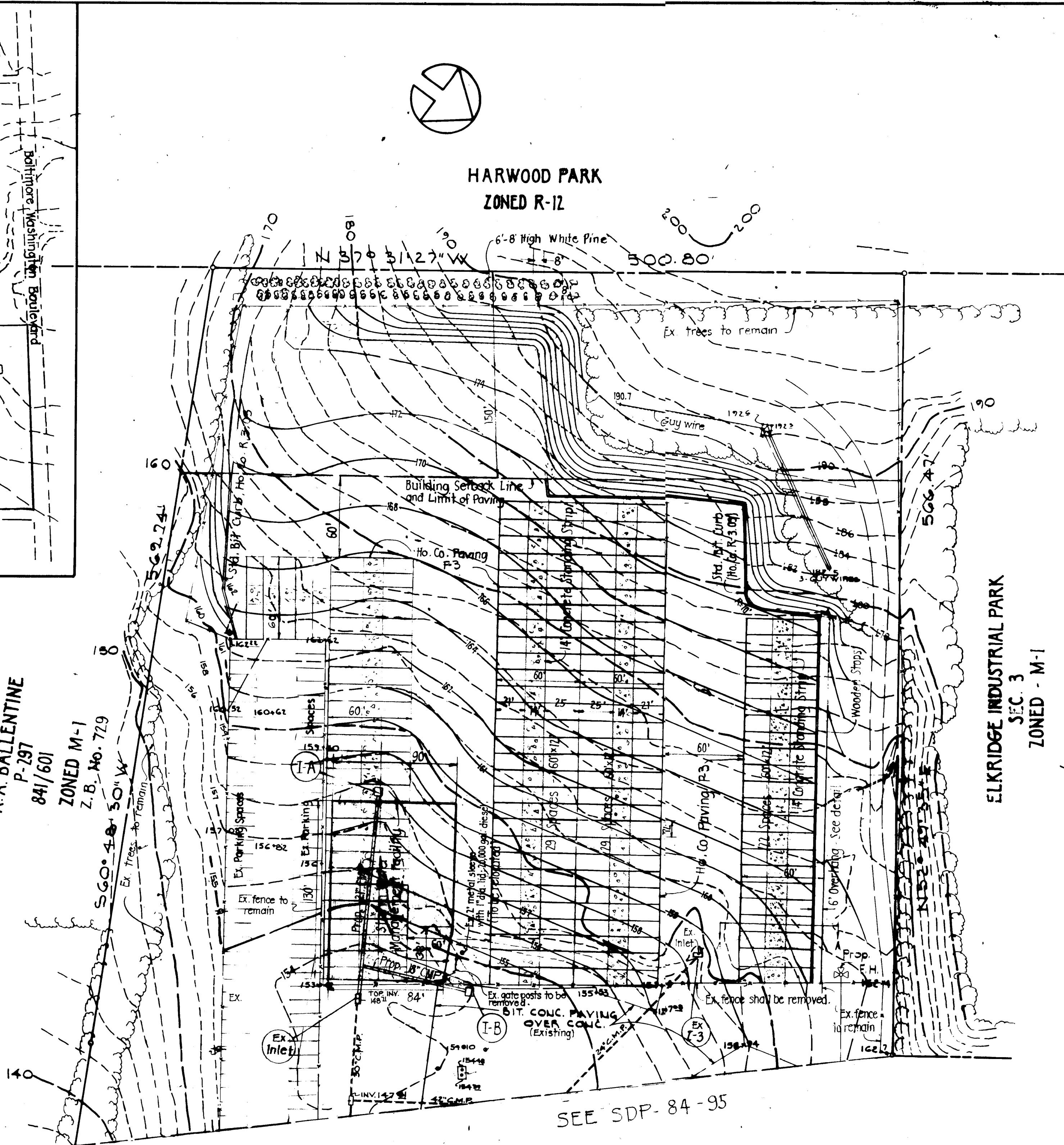


DRAINAGE AREA MAP
SCALE 1"=200'



VICINITY MAP

R.A. BALLENTINE
P-297
841/601
ZONED M-1
Z.B. No. 719



PLAN
1"=50'

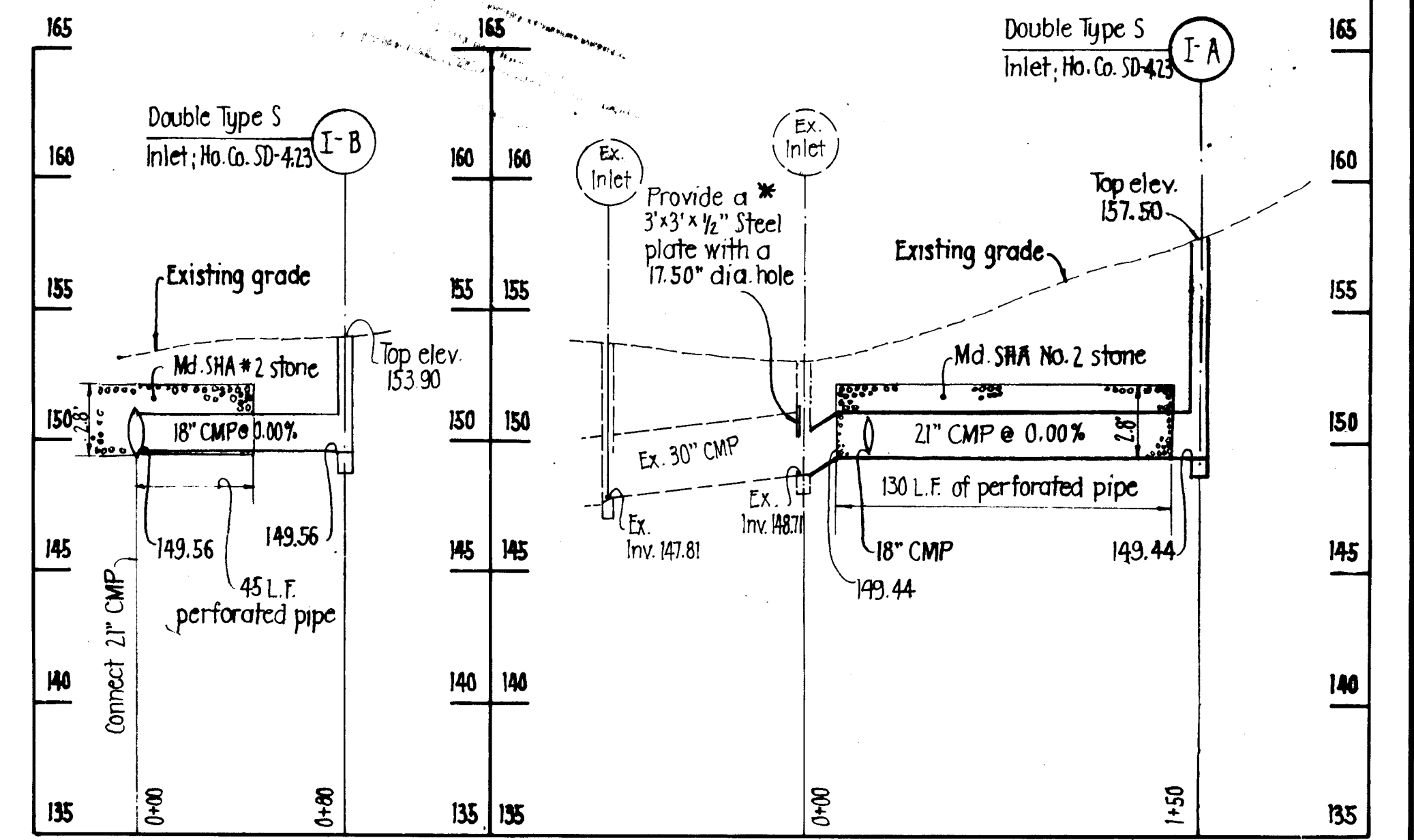
GENERAL NOTES

- The locations of existing utilities shown hereon are based on the latest available information. The contractor shall, however, determine the exact location before making connections.
- The Contractor shall notify "Miss Utility" at least 3 days prior to beginning any work shown hereon.
- All workmanship and materials shall be in accordance with Howard County "Standard Specifications and Details" unless otherwise specified.
- Trees along Harwood Park shall be 2 1/2" trunk dia. and of ever-green variety with 8' spacing.

SITE ANALYSIS

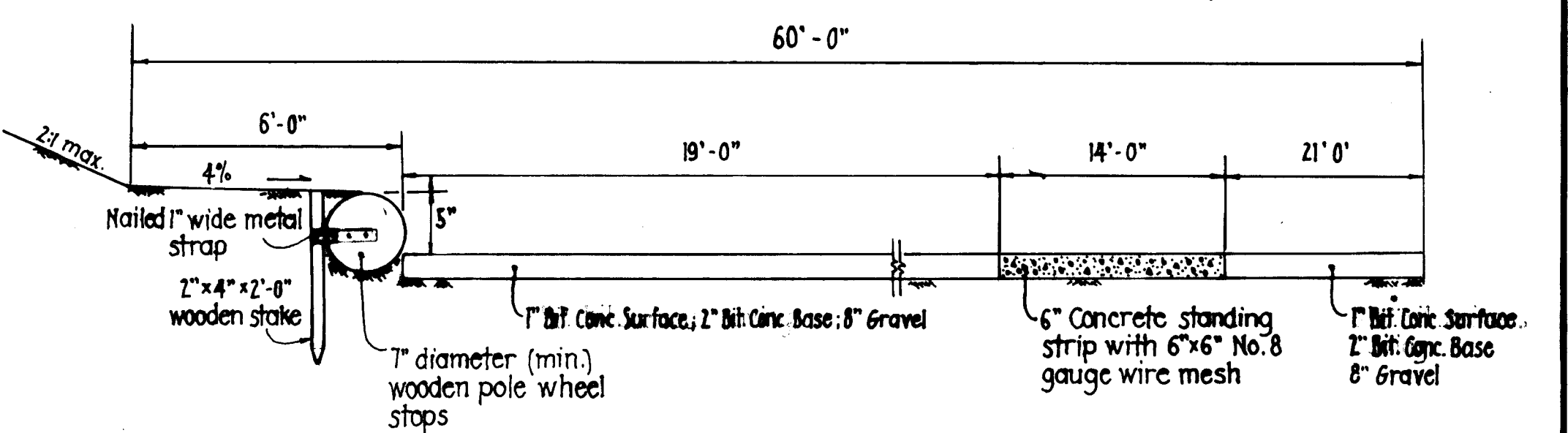
- | | |
|---------------------------|----------------------|
| 1. Limit of Submission | 3.31 Ac.± |
| 2. Total area of property | 24,502 Ac.± |
| 3. Present zoning | M-1 |
| 4. Proposed use | Trailer storage area |
| 5. Open space | 37% |
| 6. Paving area | 55.7% |

SEE SDP-84-95



PROFILE
SCALE: Hor. 1"=50'
Vert. 1"=5'

* Alternate: Use brick to provide 17.50" dia. opening



A-A SECTION - TRAILER STORAGE AREA
NOT TO SCALE

OWNER/DEVELOPER
OVERNITE TRANSPORTATION CO.
P.O. BOX 26844
CHARLOTTE, NORTH CAROLINA 28215

APPROVED: FOR SOIL EROSION AND SEDIMENT CONTROL
HOWARD CO. SOIL CONSERVATION DISTRICT
Robert Zeln 5-22-84
SIGNATURE DATE
REVIEWED FOR HOWARD CONSERVATION DISTRICT MEETS TECHNICAL REQUIREMENTS
J. Hill 5-22-84
SIGNATURE DATE

APPROVED
DIVISION OF LAND DEVELOPMENT & ZONING ADMINISTRATION
HOWARD COUNTY, MARYLAND
DATE **2-6-84**
[Signature]

ADDRESS CHART	
PARCEL NO.	STREET ADDRESS
29B	6200 S HANOVER ROAD

SUBDIVISION NAME		SECT./AREA	LOT/PARCEL#		
OVERNITE TRANSPORTATION CO.			29B		
PLAT #/BLK#	BLOCK #	ZONE	TAX ZONE	ELECT. DIST.	CENSUS TR.
424/2	15	M-1	3B	15	6012
WATER CODE		SEWER CODE			

PURDUM & JESCHKE
CONSULTING ENGINEERS
LAND SURVEYORS
1023 North Colvert Street
Baltimore, Maryland 21202 301/837-0194

APPROVED: FOR PUBLIC WATER PUBLIC SEWERAGE, STORM DRAINAGE, AND ROAD.
HOWARD CO. DEPT. OF PUBLIC WORKS
J. Neuman 5-22-84
SIGNATURE DATE
CHIEF, BUREAU OF ENGINEERING

APPROVED: FOR PUBLIC WATER & PUBLIC SEWERAGE SYSTEMS
HOWARD COUNTY HEALTH DEPARTMENT
[Signature] 5-22-84
DATE
CHIEF, HEALTH DEPARTMENT

APPROVED: HOWARD CO. OFFICE OF PLANNING & ZONING
[Signature] 5-22-84
DATE
PLANNING DIRECTOR

DEVELOPER'S CERTIFICATION
I CERTIFY THAT ALL DEVELOPMENT & CONSTRUCTION WILL BE DONE ACCORDING TO THIS PLAN AND ANY NECESSARY PERMITS. I HAVE ADVISED THE CONSTRUCTION PROJECT WILL HAVE A CERTIFICATE OF ATTENDANCE AT THE DEPT. OF NATURAL RESOURCES APPROVED TRAINING PROGRAM FOR THE CONTROL OF ANY SEDIMENT EROSION OCCURRING DURING THE PROJECT.
J.H. Zittel

ENGINEER'S CERTIFICATION
I CERTIFY THAT THIS PLAN FOR EROSION AND SEDIMENT CONTROL REPRESENTS A PRACTICAL AND WORKABLE PLAN BASED ON MY PERSONAL KNOWLEDGE OF THE SITE CONDITIONS AND THAT IT WAS PREPARED IN ACCORDANCE WITH THE REQUIREMENTS OF THE HOWARD SOIL CONSERVATION DISTRICT.
[Signature] 11/14/83



SITE DEVELOPMENT PLAN
OF
OVERNITE TRANSPORTATION COMPANY
ADDITION TO APPROVED SDP-72-J21 & SDP-84-95
1ST ELECT. DIST.
TAX MAP NO. 3B
SCALE: AS SHOWN

SHEET 1 OF 2
DES. ART
DRWN. ART
CHK. BCE
REV. 5-16-84
HOWARD COUNTY, MD.
PARCEL: 29B
DATE: SEPT. 23, 1983

SDP-84-150

