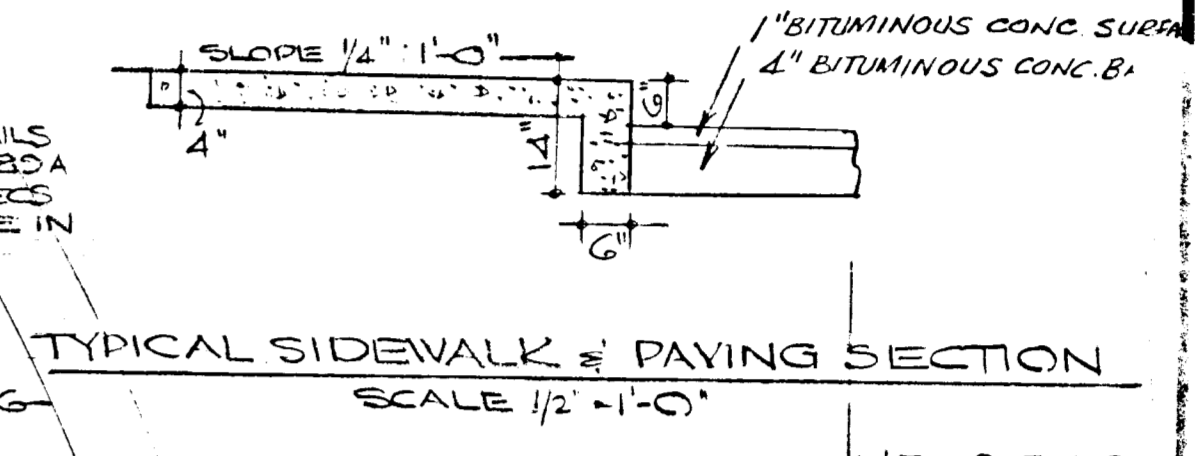
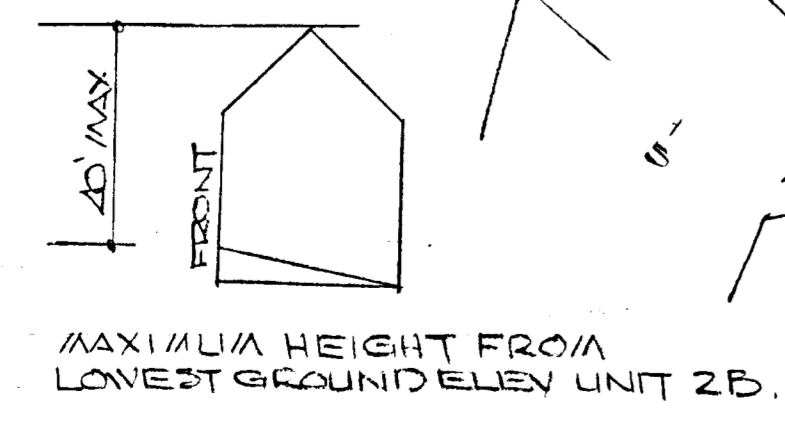


FILE NUMBER	
PLAN IDENTIFICATION	
APPLICANT NAME	
ADDRESS	
TELEPHONE NUMBER	
PROGRESS DATA CHART	
DATE OF ORIGINAL SUBMISSION	
DATE	INITIALS
RETURNS	
REVISIONS RECEIVED BY H.C.P.C.	
APPROVAL OF SITE PLAN	
BUILDING PERMIT APPLICATION RECEIVED	
USE & OCCUPANCY APPLICATION RECEIVED	
USE & OCCUPANCY FIELD INSPECTION	
USE & OCCUPANCY PERMIT RELEASED	



BLDG NO	210	1020	1070	303	NO OF UNITS IN SQUARE FEET	GROSS AREA
1	1	2A	2B	3	12	13,080
2	1	1	1	1	12	17,100
3	1	1	1	1	12	15,080
4	1	1	1	1	12	18,780
5	1	1	1	1	24	21,000
6	1	1	1	1	12	13,080
7	1	1	1	1	12	18,780
8	1	1	1	1	12	18,780
9	1	1	1	1	12	17,700
10	1	1	1	1	12	18,780
11	1	1	1	1	12	18,080
TOTALS	54	72	18	36	183,240	



- LEGEND**
- EXISTING CONTOURS
 - FINISHED CONTOURS
 - TERRACE FLOOR ELEVATION
 - SPOT ELEVATION
 - DIRECTION OF DRAINAGE
 - BITUMINOUS PAVING
 - CONCRETE SIDEWALK
- NOTES**
- ALL INTERIOR ROADS TO BE PRIVATE
 - ALL DISTURBED AREAS TO BE RESEED OR SOILED TO PREVENT SOIL EROSION
 - ALL DRAINAGE SWALES TO BE RETAINED, SOILED AND SOOLED TO BE RETAINED
 - LAUNDRY FACILITIES TO BE PROVIDED IN EACH UNIT

AREA OF SITE	12.7 AC
UNIT COUNT	520,511 sq ft
ALLOWABLE	180
PROVIDED	180
COVERAGE	156,053.3 sq ft (30%)
ALLOWABLE	65,520 sq ft (12.5%)
PROVIDED	65,520 sq ft (12.5%)
PARKING	307
REQUIRED (1:5 TO 1)	270
PROVIDED	307
ZONING	NEW TOWN

APPROVED FOR PUBLIC WATER & PUBLIC SEWERAGE SYSTEMS HOWARD COUNTY HEALTH DEPARTMENT 11/17/70

APPROVED HOWARD COUNTY OFFICE OF PLANNING AND ZONING 11-17-70

APPROVED FOR PUBLIC WATER, PUBLIC SEWERAGE AND STORM DRAINAGE SYSTEMS & ROADS HOWARD COUNTY DEPARTMENT OF PUBLIC WORKS 11/13/70

SPYBOLT, GORF & NEWQUIST
CIVIL ENGINEERS & LAND SURVEYORS
1111 BURNHAM STREET
SILVER SPRING, MD. 20910

ROUSE-WATES INC.
OAKLAND BUILDING
COLUMBIA, MD.

APPROVED
PLANNING BOARD
OF HOWARD COUNTY
NOV 4 1970

COLLINS & KRONSTADT
LEAHY · HOGAN · COLLINS
architects · planners · engineers
1111 spring street · silver spring, maryland

SITE GRADING PLAN
VILLAGE OF OAKLAND MILLS - TALBOTT SPRINGS - 6TH ELECTION DISTRICT
PARCEL E SECTION 4 AREA 1 PLAT BOOK 17 FOLIO 54
FINAL DEVELOPMENT PLAN PHASE E1 PLAT BOOK 126 TO 126G COLUMBIA / MD

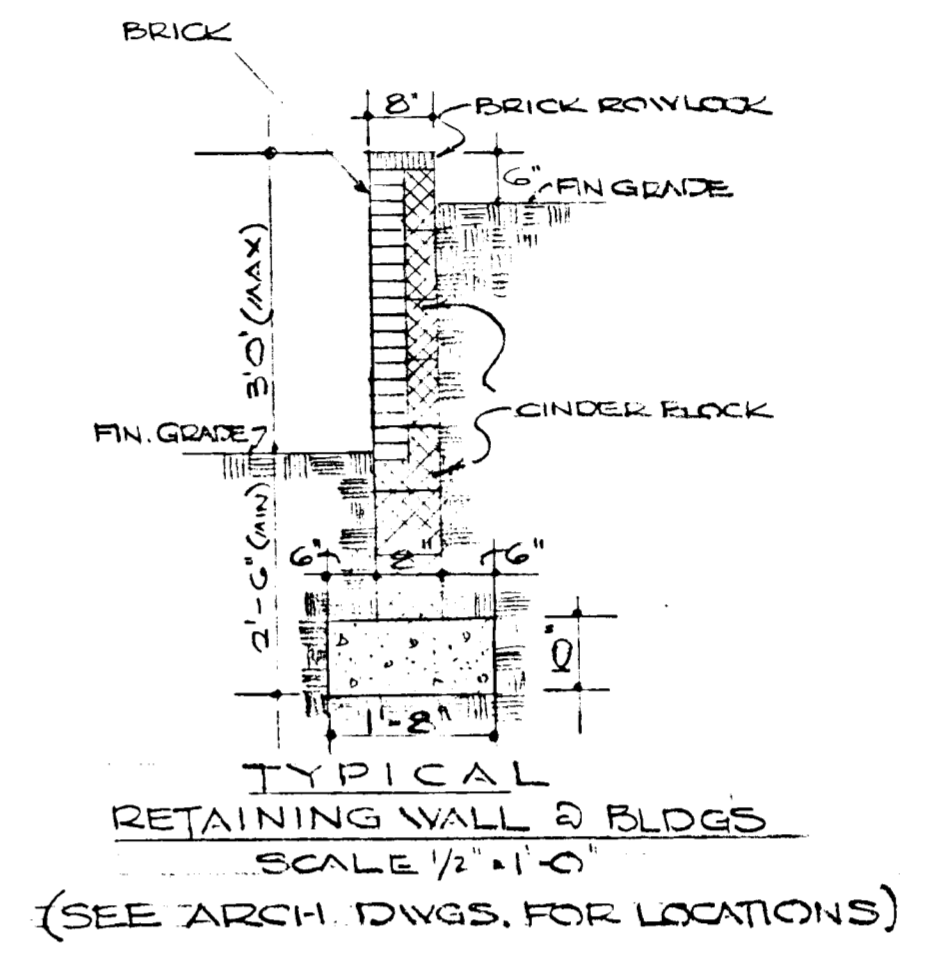
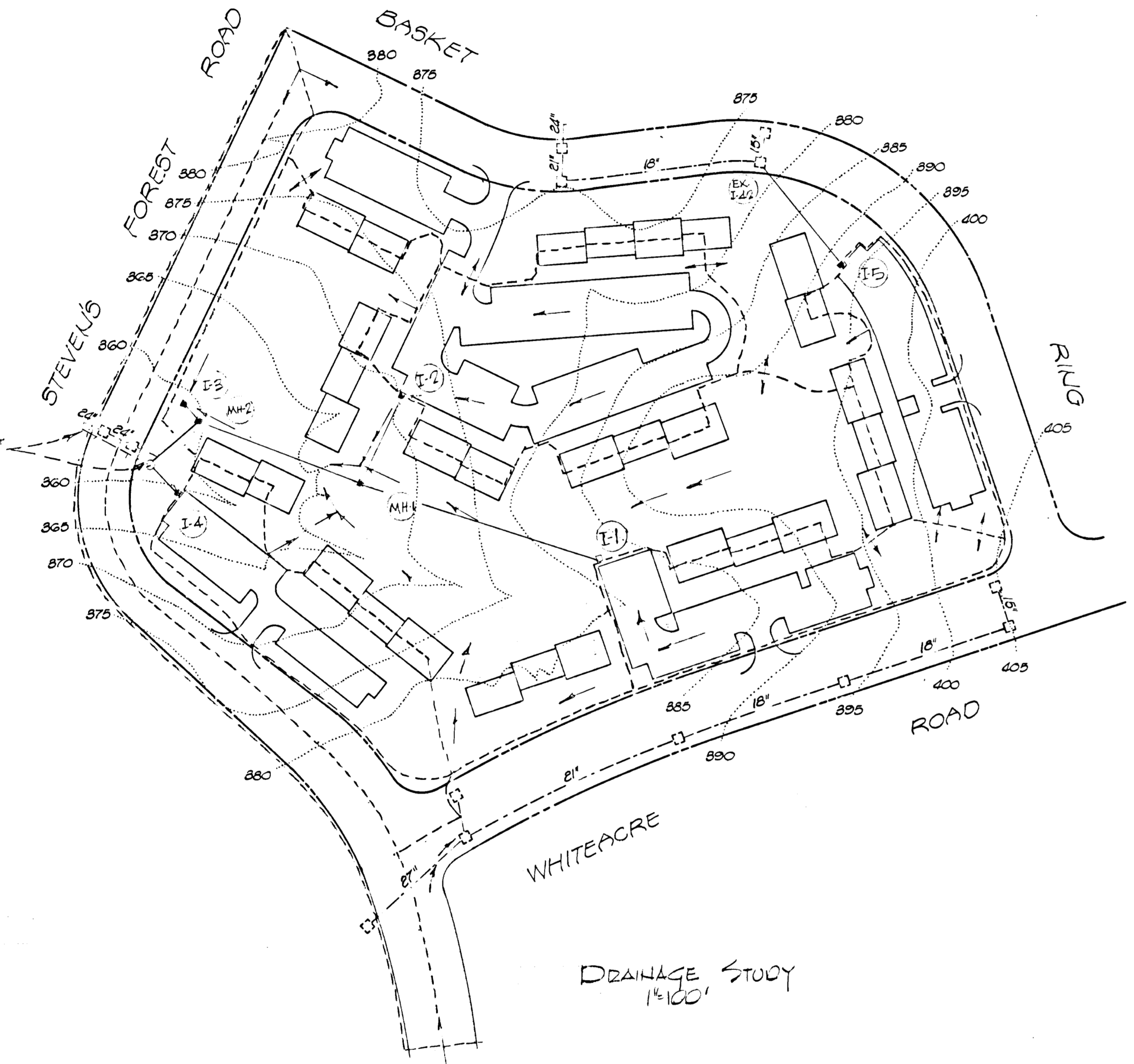
SD 1

"AREA ANALYSIS"

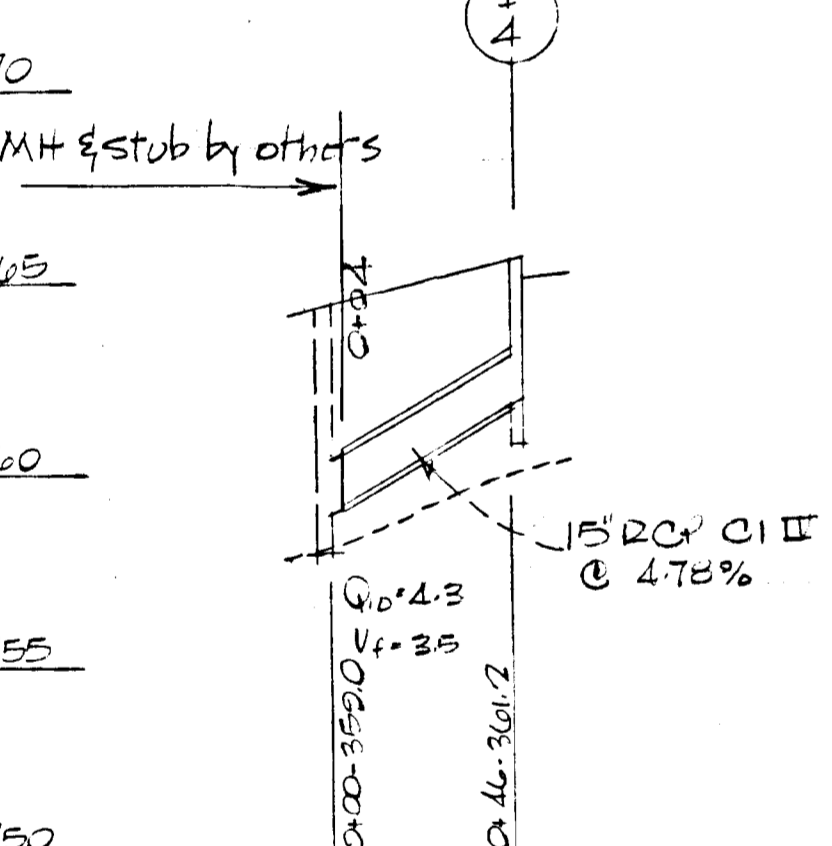
STATION	A	C	AC
I-1	0.0	0.0	0.0
I-2	1.3	0.0	1.3
I-3	0.7	0.0	0.7
I-4	0.0	0.0	0.0
I-5	1.1	0.0	1.1
I-6	1.0	0.0	1.0
I-7	1.2	0.0	1.2
I-8	0.7	0.0	0.7
I-9	0.1	0.0	0.1
I-10	0.0	0.0	0.0

0.05

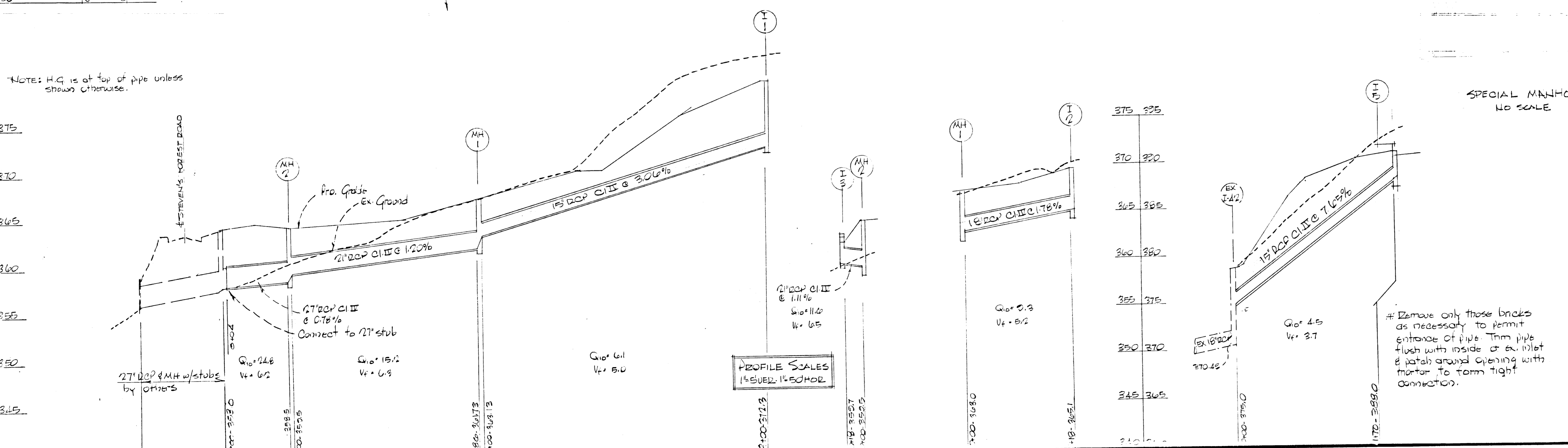
0.05



NO	TYPE	INV. IN	INV. OUT	TOP
I-1	10" Draw # D-64-B	-	372.8	372.8
I-2	" " " "	-	365.1	365.1
I-3	10" Draw # D-64-C	-	355.7	355.7
I-4	10" Draw # D-64-E	-	341.9	341.9
I-5	" " " "	-	344.9	344.9
MH-1	SPECIAL - SEE DETAIL	363.5	361.5	361.5
MH-2	" " " "	355.5	353.0	353.0



NOTE: H.C. is at top of pipe unless shows otherwise.



APPROVED: FOR PUBLIC WATER & PUBLIC SEWERAGE SYSTEMS, HOWARD COUNTY HEALTH DEPARTMENT.

APPROVED: FOR HOWARD COUNTY OFFICE OF PLANNING & ZONING.

APPROVED: FOR PUBLIC WATER, PUBLIC SEWERAGE AND STORM DRAINAGE SYSTEMS, & ROADS HOWARD COUNTY, DEPARTMENT OF PUBLIC WORKS.

SEYBOLT, COLE & NEWQUIST, CIVIL ENGINEERS & LAND SURVEYORS, 1113 BAYVIEW DRIVE, SILVER SPRING, MD 20910

APPROVED PLANNING BOARD OF HOWARD COUNTY NOV 4 1976

COLLINS & KRONSTADT LEAHY · HOGAN · COLLINS architects · planners · engineers 1111 Spring Street · Silver Spring, Maryland

STORM DRAIN PROFILES & DRAINAGE AREAS

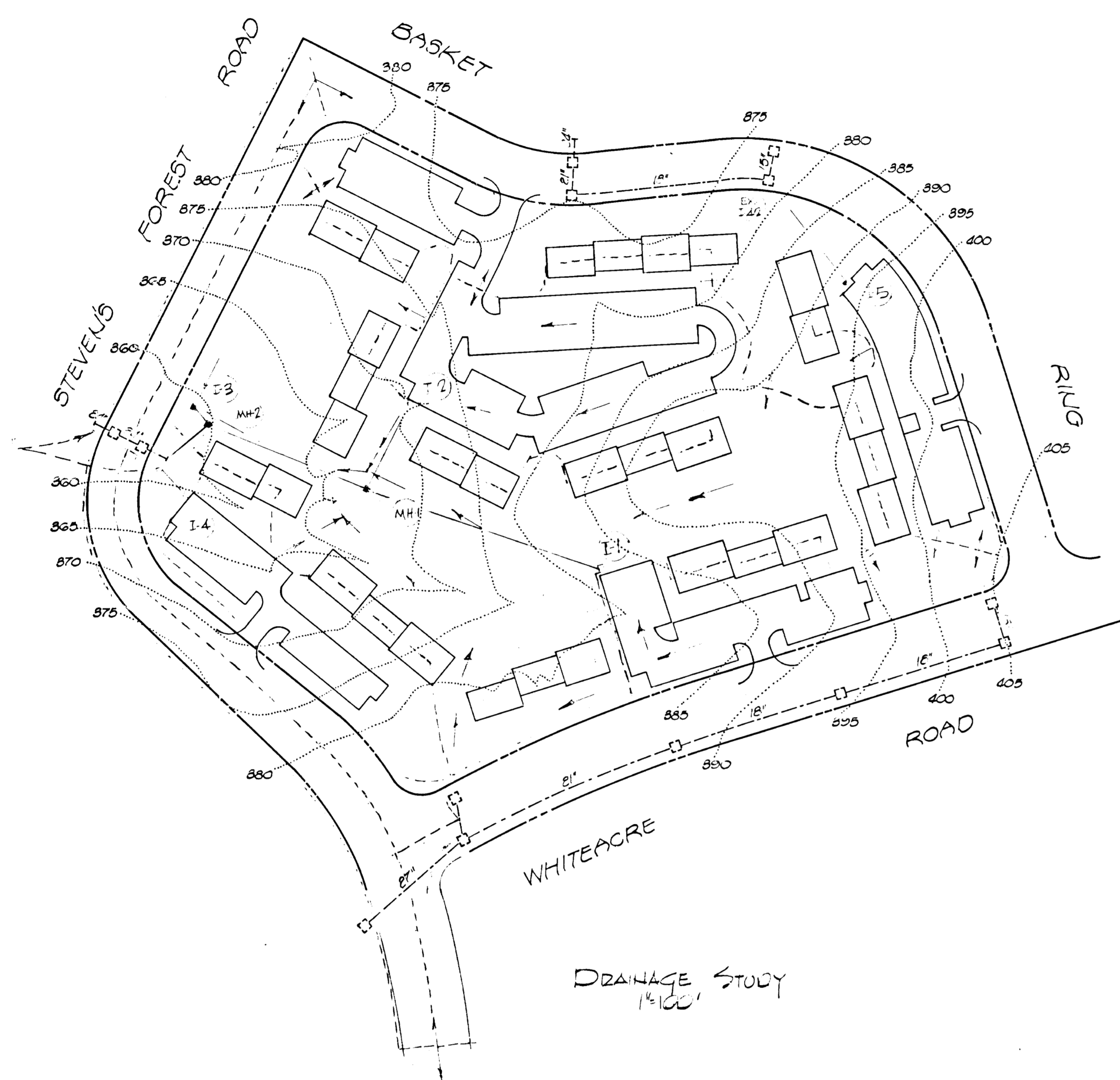
VILLAGE OF CARLAND MILLS, TALBOT SPRINGS - 6th ELECTION DISTRICT PARCEL #1 SECTION 4 AREA 1 PLAT BOOK 17 FOLIO 54 FINAL DEVELOPMENT PLAN PHASE B1 PB 16 FOLIOS 126-136 COLUMBIA, MD

SD 2

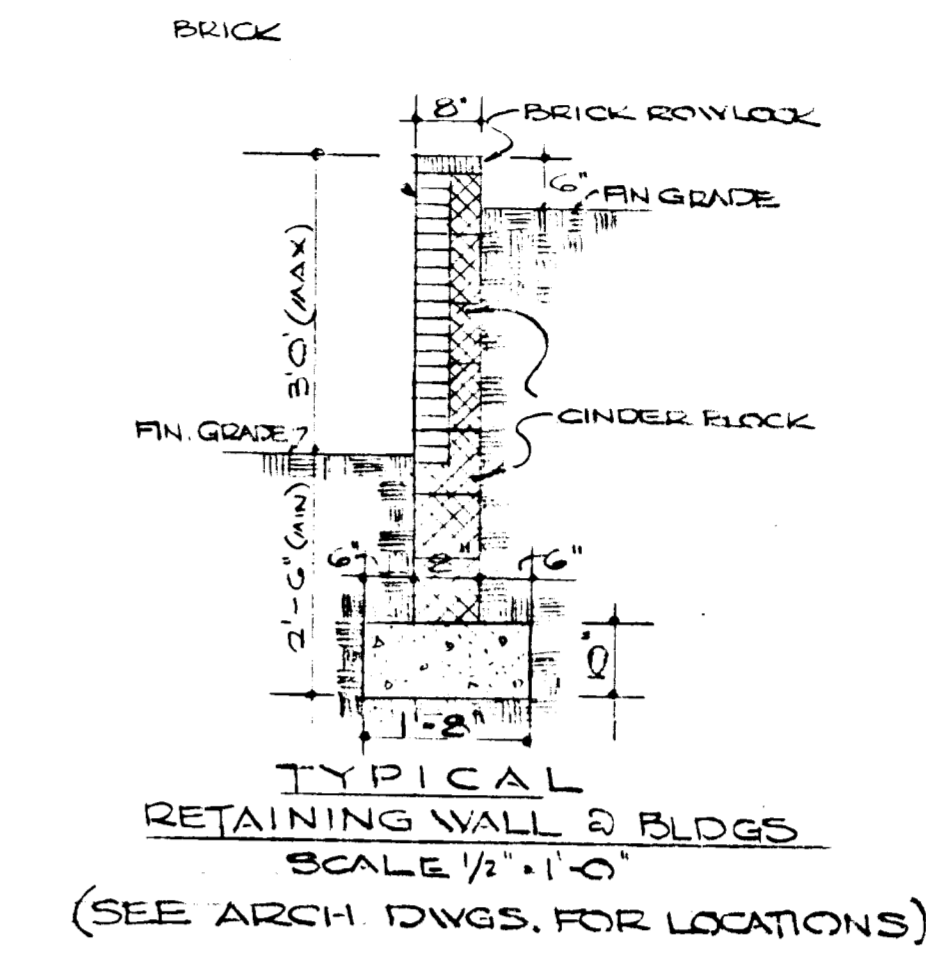
AREA ANALYSIS

STRUCTURE NO	A	C	AC
I-1	0.7	0.3	0.21
2	1.2	0.75	0.90
I-2	1.3	0.5	1.18
3	0.7	0.3	0.21
4	2.0	0.68	1.37
I-3	0.7	0.3	0.21
5	4.0	0.3	1.38
6	5.3	0.36	2.01
7	0.5	0.3	0.45
8	0.5	0.3	0.45
9	1.1	0.57	0.63
10	1.0	0.15	0.15
11	1.2	0.75	0.90
12	0.7	0.3	0.21
13	0.1	0.3	0.08
14	0.6	0.22	0.13

0.02
0.03

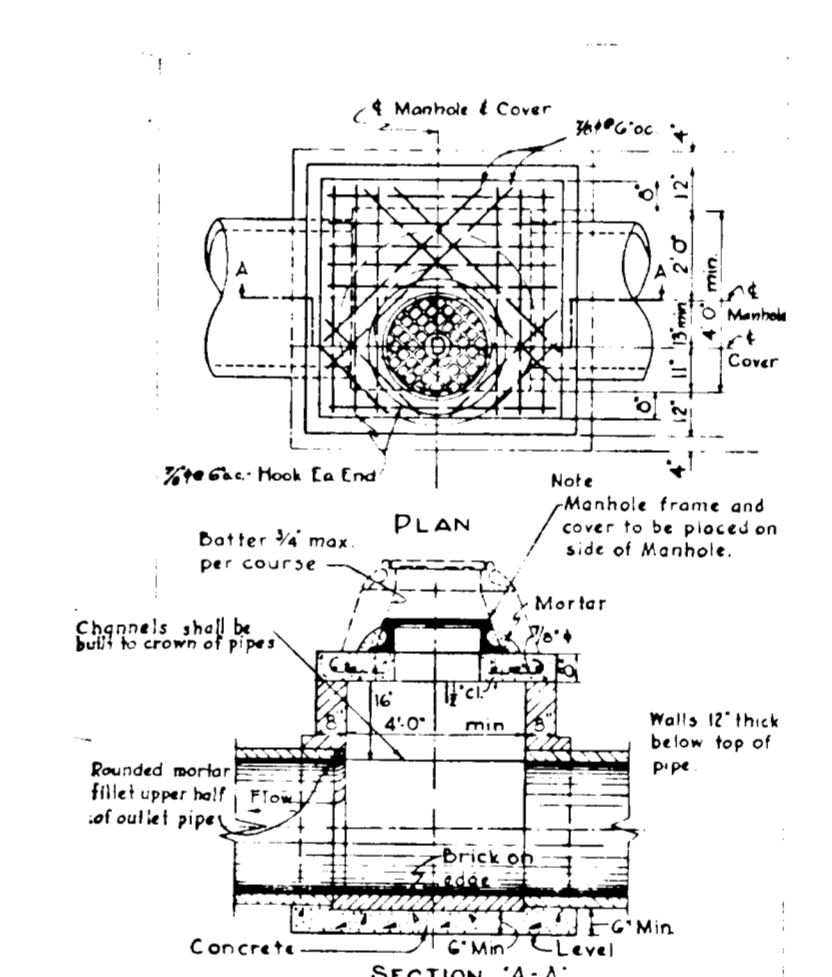


DRAINAGE STUDY
1966

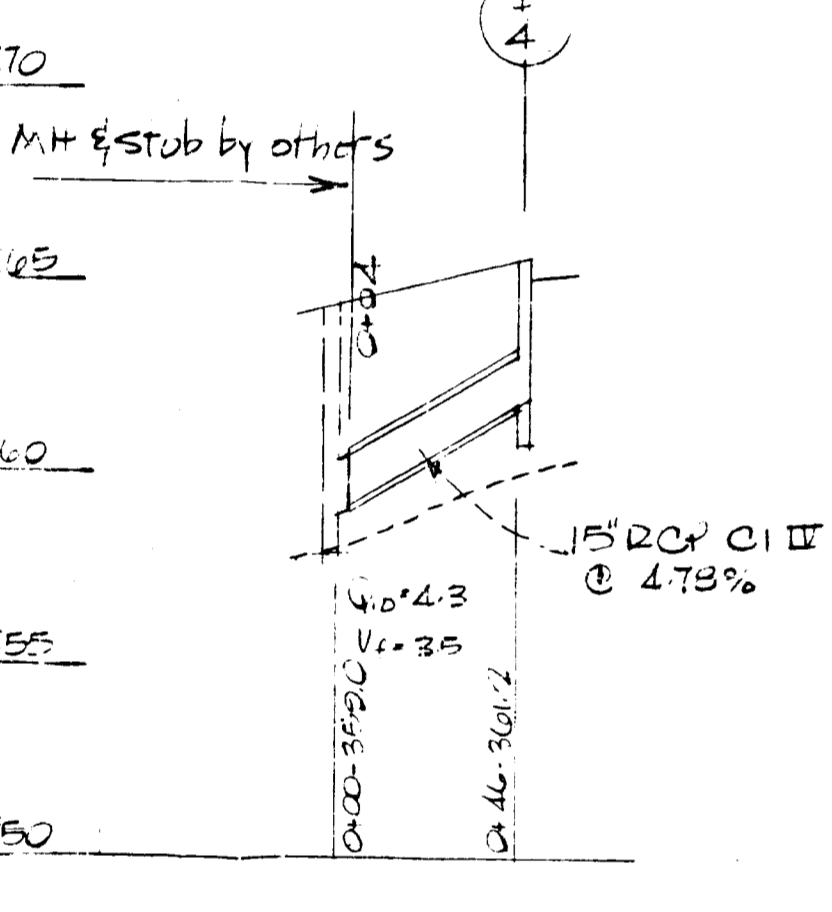


TYPICAL RETAINING WALL & BLOCKS
SCALE 1/2"=1'-0"
(SEE ARCH DWGS. FOR LOCATIONS)

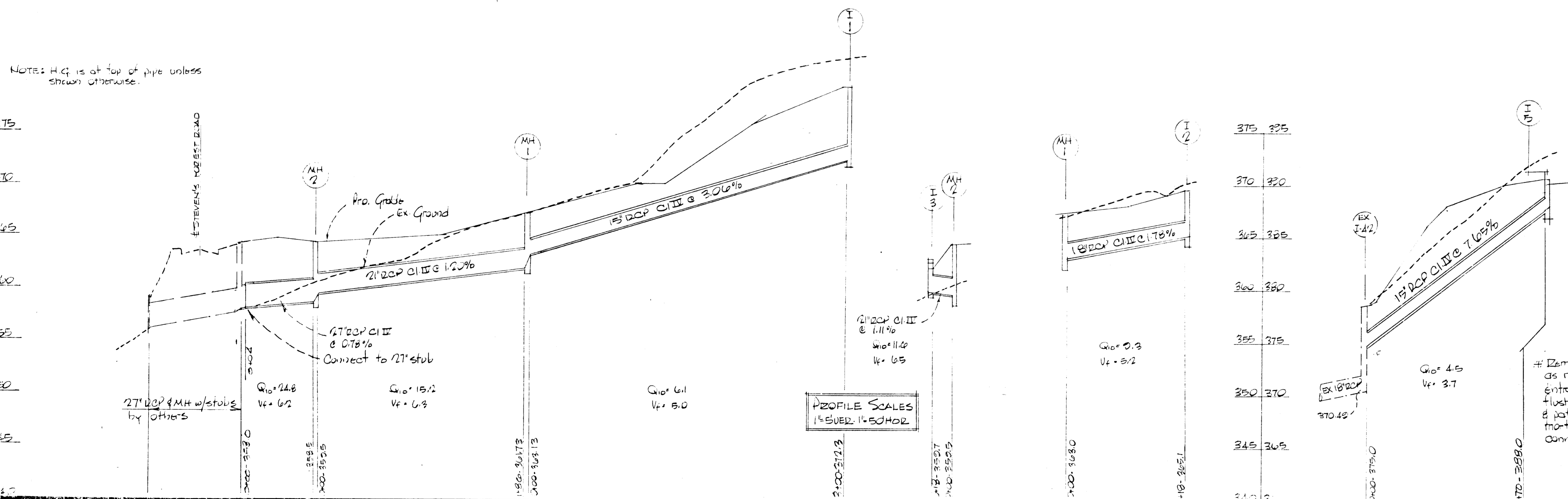
NO	TYPE	INV. IN	INV. OUT	TOP
I-1	B-I-C Draw # D-14-B	-	372.8	370.3
I-2	"	-	365.1	362.5
I-3	C - Draw # D-14-C	-	360.7	362.65
I-4	R-10 Draw # D-14-B	-	361.2	365.5
I-5	"	-	360.5	360.0
MH-1	SPECIAL - SEE DETAILS RIGHT	362.3	361.75	367.0
MH-2	"	362.5	362.5	364.5



SPECIAL MANHOLE
NO SCALE



NOTE: H.G. is at top of pipe unless shown otherwise.



PROFILE SCALES
1" VERTICAL = 5' HORIZONTAL

APPROVED: FOR PUBLIC WATER & PUBLIC SEWERAGE SYSTEMS, HOWARD COUNTY HEALTH DEPARTMENT
COUNTY HEALTH OFFICER: [Signature] DATE: 11/17/70
APPROVED: HOWARD COUNTY OFFICE OF PLANNING & ZONING
PLANNING DIRECTOR: [Signature] DATE: 11/17/70
CHIEF ENGINEER, DIVISION OF LAND DEVELOPMENT
APPROVED: FOR PUBLIC WATER, PUBLIC SEWERAGE AND STORM DRAINAGE SYSTEMS & ROADS, HOWARD COUNTY, DEPARTMENT OF PUBLIC WORKS
DIRECTOR: [Signature] DATE: 11/17/70
ENTRY: BUREAU OF HIGHWAYS

SEYBOLT, CORE & NEWQUIST
CIVIL ENGINEERS & LAND SURVEYORS
1111 BUNKA STREET
SILVER SPRING, MD 20910

APPROVED
PLANNING DIRECTOR
HOWARD COUNTY

COLLINS & KRONSTADT code 301
LEAHY · HOGAN · COLLINS 587 · 8642
architects · planners · engineers
1111 spring street · silver spring, maryland

STORM DRAIN PROFILES & DRAINAGE AREAS
VILLAGE OF OAKLAND MILLS · TALBOTT SPRINGS · 6TH ELECTION DISTRICT
PARCEL 1E1 SECTION 4 AREA 1 PLAT BOOK 17 FOLIO 6A
FINAL DEVELOPMENT PLAN PHASE B1 (P. 16) FOLIOS 126-136 COLUMBIA, MD

SD 2