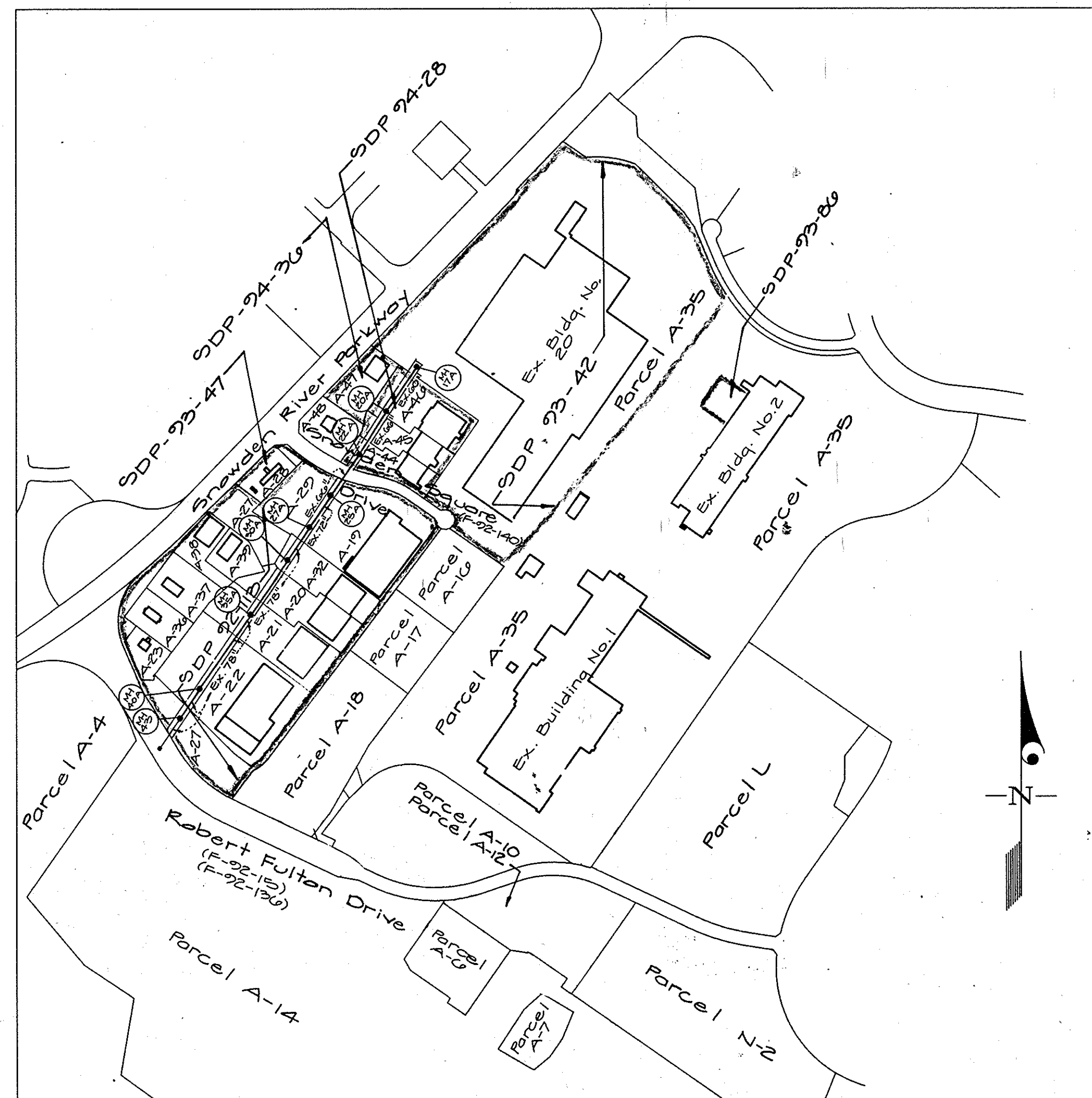


STORM DRAINS

GATEWAY COMMERCE CENTER

SIXTH ELECTION DISTRICT

HOWARD COUNTY, MARYLAND



VICINITY MAP
SCALE: 1"=600'

OWNER/DEVELOPER
HOWARD RESEARCH AND DEVELOPMENT CORPORATION
10275 LITTLE PATUXENT PARKWAY
COLUMBIA, MARYLAND 21044

APPROVED: DEPARTMENT OF PUBLIC WORKS	
<i>Robert J. Egan</i> CHIEF, BUREAU OF ENGINEERING	7/17/26 DATE
APPROVED: DEPARTMENT OF PLANNING AND ZONING	
<i>Chris Wynn</i> CHIEF, DIVISION OF LAND DEVELOPMENT & RESEARCH	8/12/26 DATE
APPROVED: DEPARTMENT OF PUBLIC WORKS	
<i>Andrew M. Daniels</i> CHIEF, BUREAU OF HIGHWAYS	12-22-25 DATE
APPROVED: DEPARTMENT OF PUBLIC WORKS	
<i>William Dammer</i> CHIEF, LAND DEVELOPMENT DIVISION	7/1/26 DATE

CKJ

GLW GUTSCHICK LITTLE & WEBER, P.A.
CIVIL ENGINEERS, SURVEYORS, PLANNERS, LANDSCAPE ARCHITECTS
3909 NATIONAL DRIVE - SUITE 250 - BURTONSVILLE OFFICE PARK - BURTONSVILLE, MD. 20866
TELEPHONE: (301)421-4024 NO.VA. (301)989-2524 BALTO. (301)880-1820 FAX (301)421-4186

DATE	REVISION	BY	APP'R.

Cover Sheet			
Phase II Storm Drain Dedication Gateway Commerce Center		DES.: SCALE 1" = 600'	ZONING 91-055
Sixth Election District		DRN.: W.S.J. DATE December 1993	TAX MAP No. 42
Howard County, Maryland		CHK.: DATE	SHEET 1 of 5

1158

F92-998 F92-999

DATE	
BY	
PLAN	
SURVEYED	
ALIGNED	
NOTED	
NO.	

APPROVED
DEPARTMENT OF PUBLIC WORKS

Andrew M. Daniels 12-22-95
CHIEF, BUREAU OF HIGHWAYS DATE

John Damann 7/17/96
CHIEF, LAND DEVELOPMENT DIVISION MK DATE

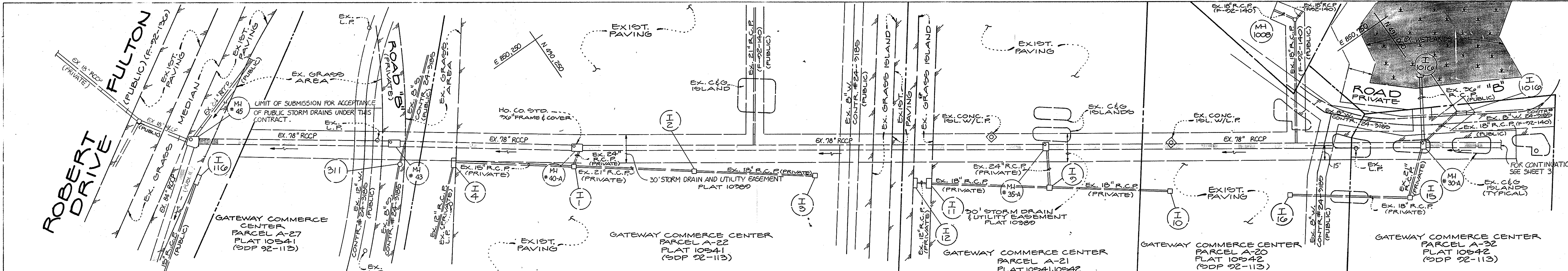
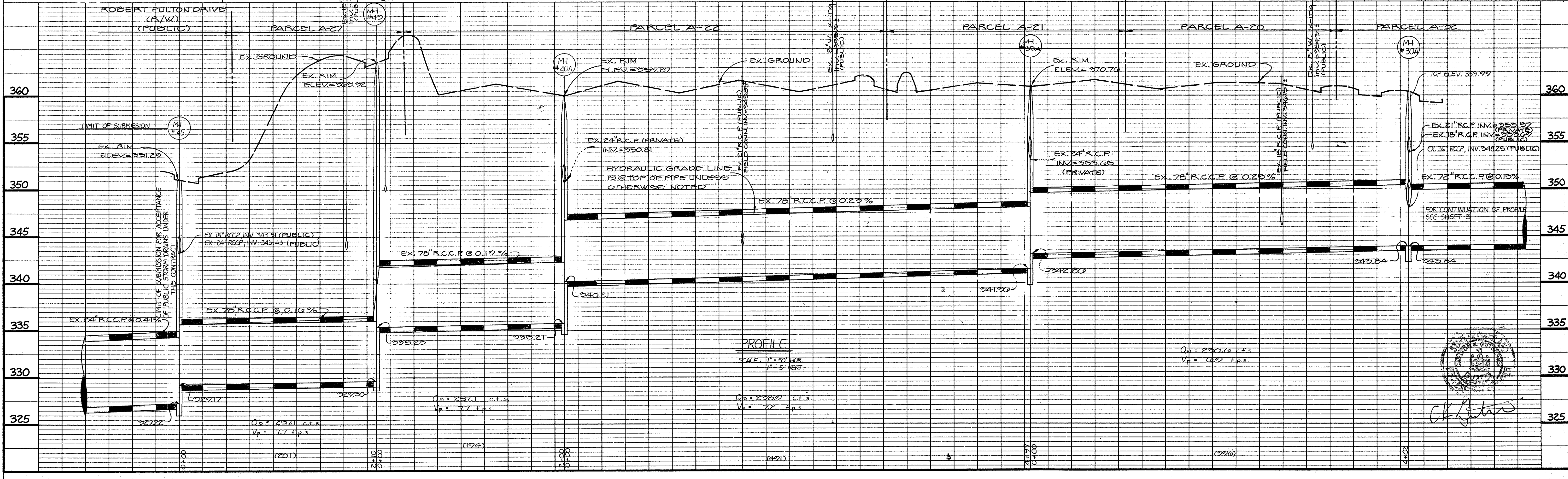
APPROVED
DEPARTMENT OF PUBLIC WORKS

John P. Span 7/17/96
CHIEF, BUREAU OF ENGINEERING DATE

APPROVED
DEPARTMENT OF PLANNING AND ZONING

Quinn Manning 8/12/96
CHIEF DIVISION OF LAND DEVELOPMENT AND RESEARCH DATE

DATE	
BY	
PROFILE	
SURVEYED	
GRADES CHECKED	
NOTED	
NO.	



GATEWAY COMMERCE CENTER
SIXTH ELECTION DISTRICT
HOWARD COUNTY, MARYLAND

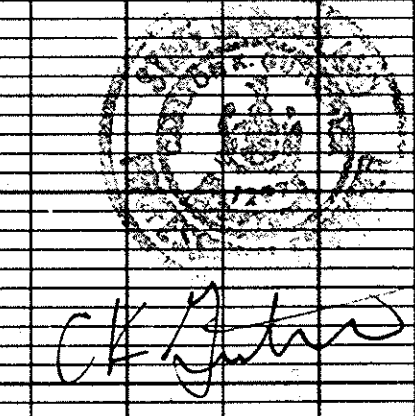
STORM DRAINS
PLAN AND PROFILE

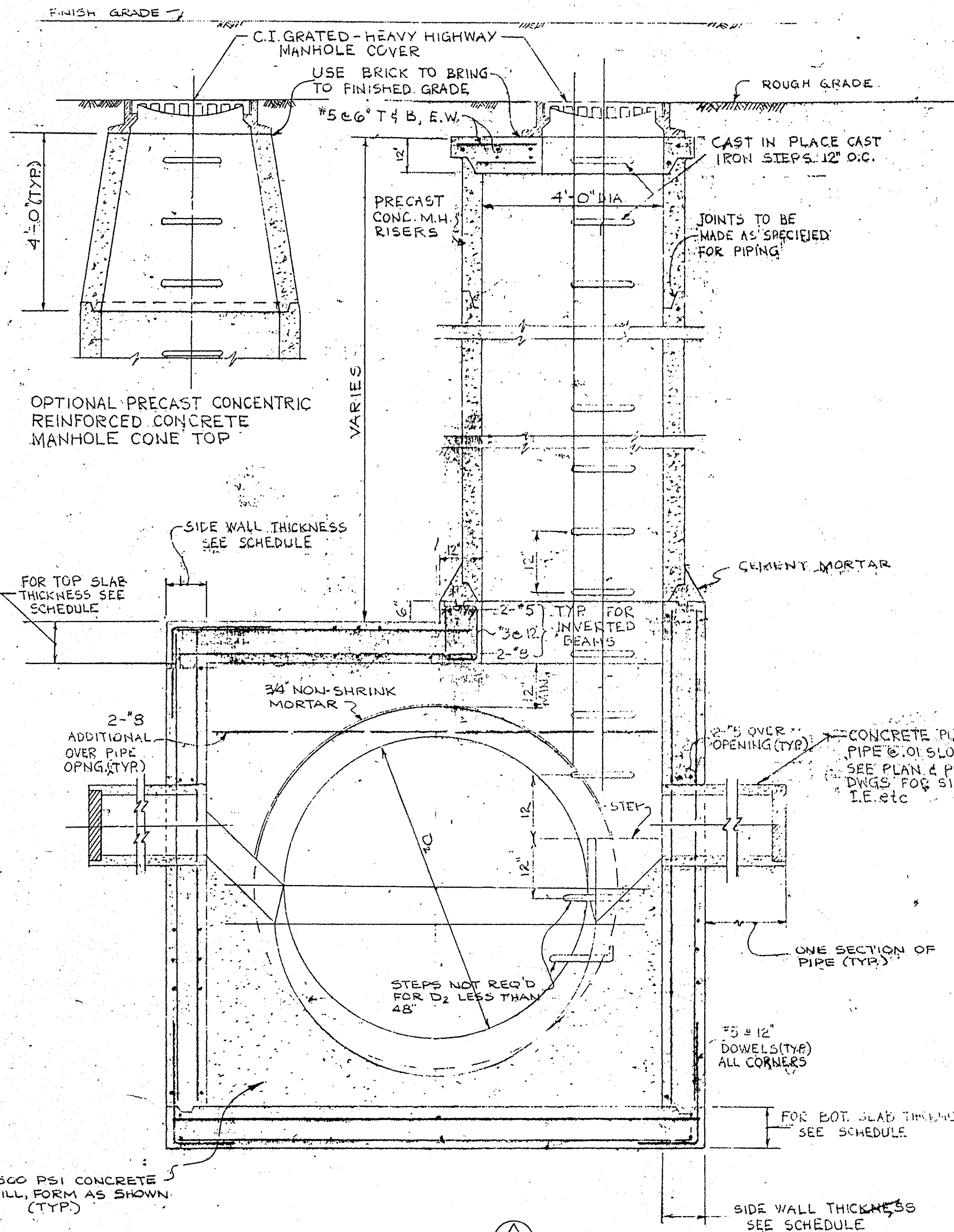
OWNER AND DEVELOPER
HOWARD RESEARCH AND DEVELOPMENT CORP.
10275 LITTLE PATUXENT PARKWAY
COLUMBIA, MARYLAND 21044

SCALE: AS SHOWN DATE: OCTOBER 1, 1991 DWG. NO. 2 OF 5

DES. DRN. W.S.J. CHK.

GUTECHICK, LITTLE & WEBER P.A.
CIVIL ENGINEERS, SURVEYORS, PLANNERS &
LANDSCAPE ARCHITECTS
2909 NATIONAL DRIVE SUITE 250
BURTONSVILLE OFFICE PARK BURTONSVILLE, MD 20866



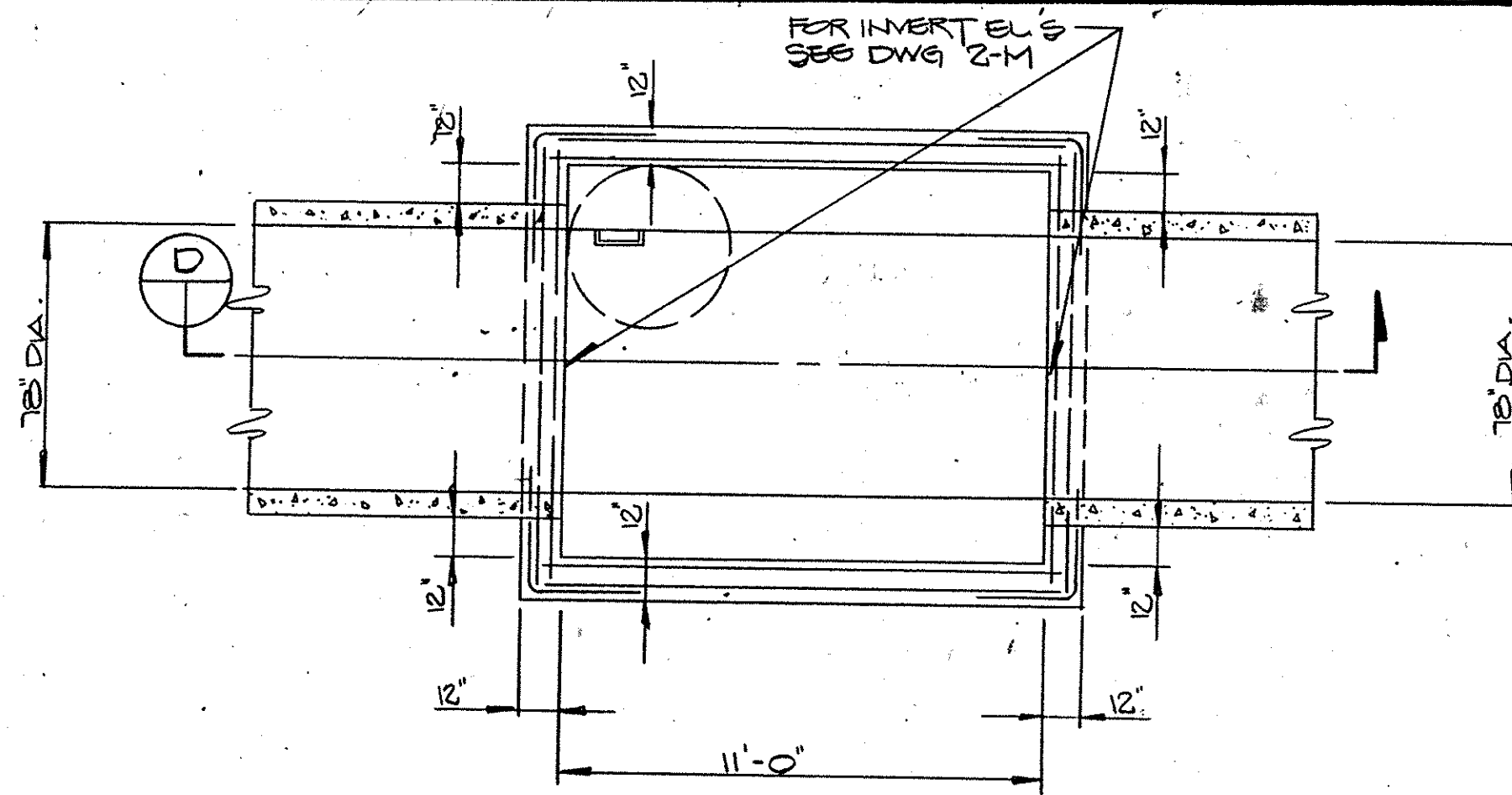


SECTION A

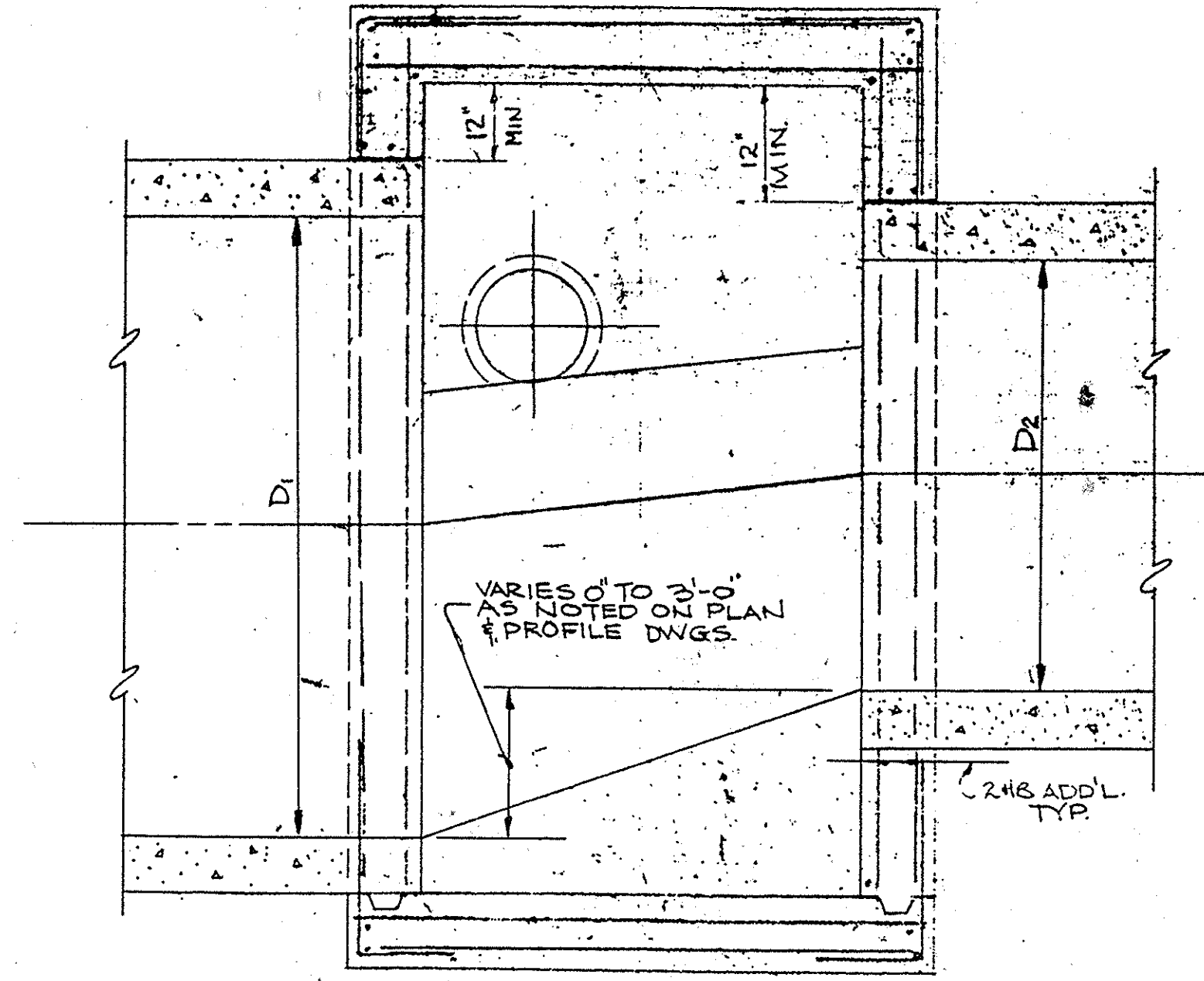
DETAILS OF TYPICAL STORM SEWER MANHOLE
NO SCALE

TYPE	TOP SLAB		BOTTOM SLAB		SIDE WALLS	
	THICKNESS	STEEL (SS)	THICKNESS	STEEL (SS)	THICKNESS	STEEL (I.F. HORIZ)
A	12"	#6 @ BOT	12"	#7 @ TOP	12"	#5 @
B	12"	#7 @ BOT	14"	#7 @ TOP	12"	#6 @
C	12"	#7 @ BOT	14"	#7 @ TOP	12"	#6 @
D	14"	#7 @ BOT	16"	#7 @ TOP	12"	#7 @
E	16"	#7 @ BOT	16"	#7 @ TOP	12"	#7 @

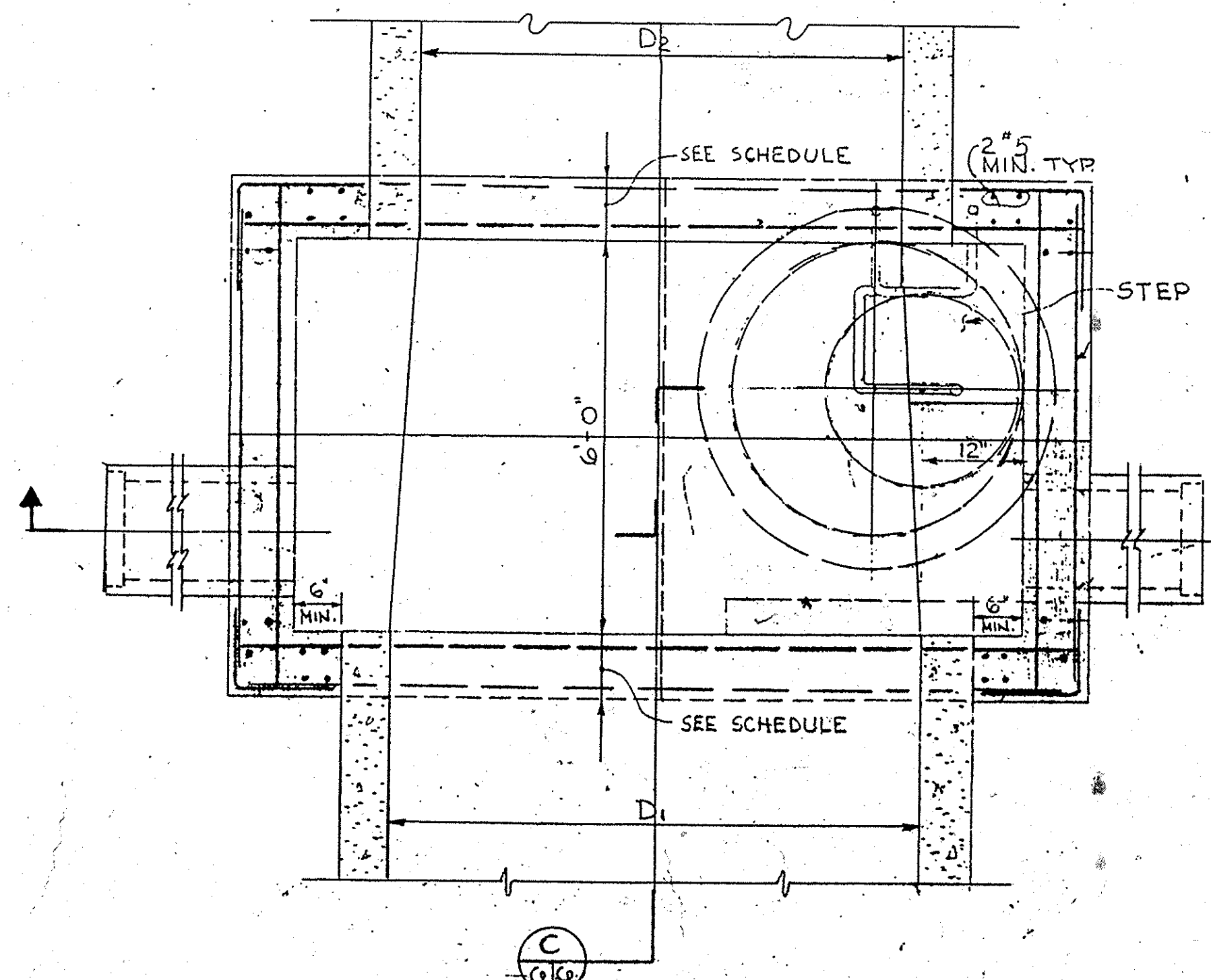
(SS) INDICATES SHORT SPAN IN MANHOLE.
ALL STEEL NOT DESIGNATED SHALL BE #5 @ 12".



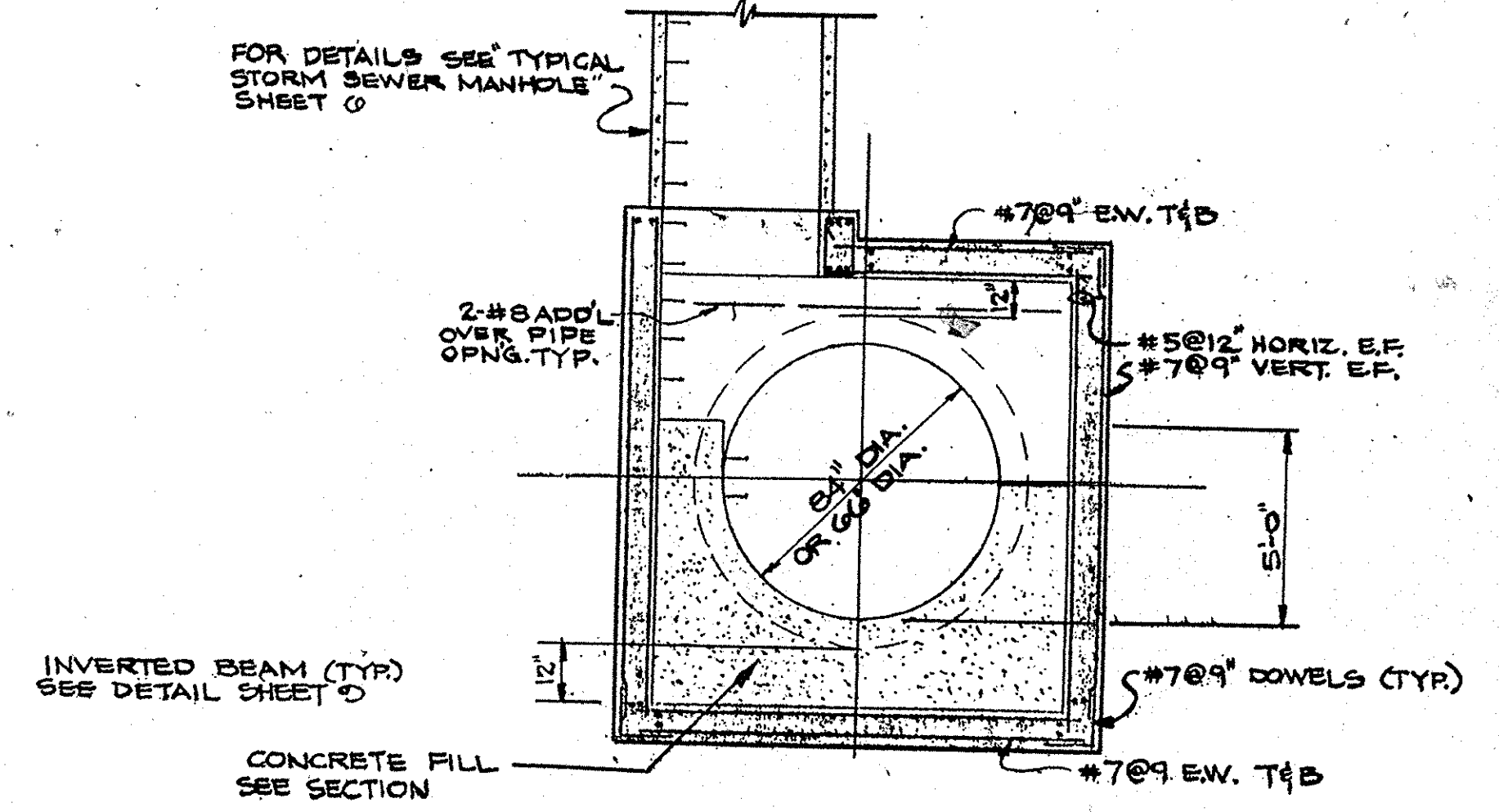
PLAN - M.H. 40 & M.H. 43



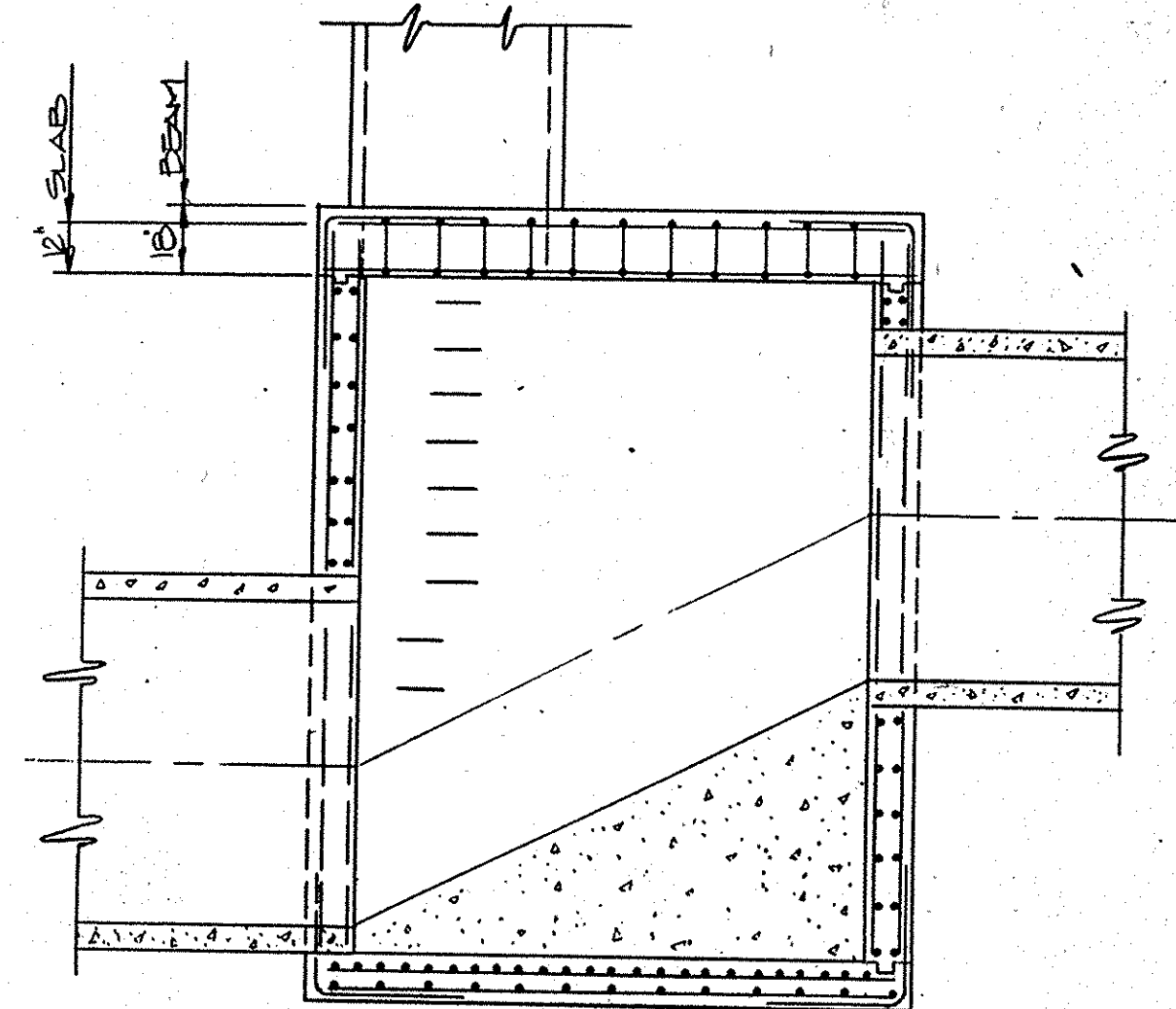
SECTION C



PLAN



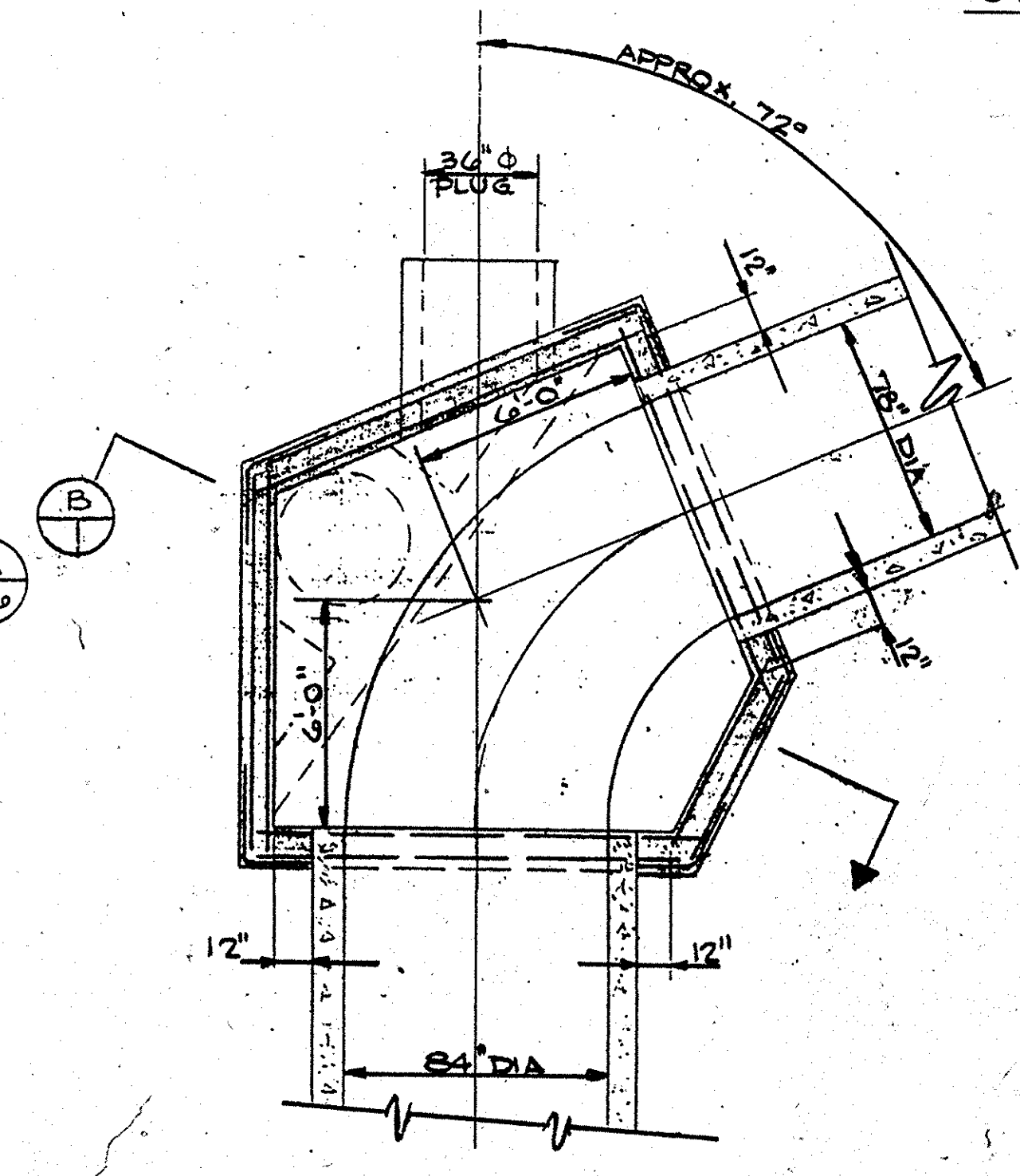
SECTION B



SECTION D

STRUCTURE	STRUCTURE SCHEDULE					
	TOP ELEV.	INV. IN.	INV. OUT.	NORTH COORDINATE	EAST COORDINATE	
MH 45 *	362.90	329.17	327.22	489893.884	850254.634	
MH 43 *	363.32	335.25	320.50	490062.280	850369.174	
MH 40A *	359.87	340.21	335.21	490225.499	850655.015	
MH 35A *	370.76	342.80	341.20	490632.444	850884.134	
MH 30A *	359.60	343.84	343.84	490962.507	851204.272	
MH 27A *	362.08	344.55	344.55	491255.161	851370.903	
MH 25A *	362.82	344.91	344.80	491420.743	851515.378	
MH 22A *	366.99	345.71	345.71	491657.932	851686.911	
MH 20A *	367.30	346.17	346.12	491864.370		
MH 17A *	368.12	346.82	346.72	492110.175		

* DELETED FIELD LOCATION BY FISHER, COLLINS AND CARTER INC.
* DELETED TAKEN FROM SEVERAL ELECTRIC APPLIANCE PARK-EAST AS-BUILTS, NLI 5045-00



GUTSCHICK, LITTLE & WEBER P.A.
CIVIL ENGINEERS, SURVEYORS, PLANNERS &
LANDSCAPE ARCHITECTS
3900 NATIONAL DRIVE SUITE 250
BURTONSVILLE OFFICE PARK, BURTONSVILLE, MD 20814

APPROVED DEPARTMENT OF PUBLIC WORKS
Mr. Dammann 7/17/96
CHIEF, LAND DEVELOPMENT DIVISION MZ DATE

APPROVED DEPARTMENT OF PUBLIC WORKS
Andrew M. Donker 12-22-95
CHIEF, BUREAU OF HIGHWAYS HS DATE

APPROVED DEPARTMENT OF PUBLIC WORKS
Paul G. Jensen 7/17/96
CHIEF, BUREAU OF ENGINEERING DATE

APPROVED OFFICE OF PLANNING AND ZONING
Jim Summary 8/12/96
CHIEF, DIVISION OF LAND DEVELOPMENT and Research DATE

Gateway Commerce Center
SIXTH ELECTION DISTRICT
HOWARD COUNTY, MARYLAND

STORM DRAINS
PLAN AND PROFILE

OWNER AND DEVELOPER
HOWARD RESEARCH AND DEVELOPMENT CORP.
10205 LITTLE PATUXENT PARKWAY
COLUMBIA, MARYLAND 21044

NO SCALE DATE: Dec., 1993 DWG. NO. 4 OF 5
DES. DRN. CHK. M. J. T.

1158

F-92-998 (M) F-92-1001 (DPW)

