

Howard W. Koltscher
 STATE OF MARYLAND
 PROFESSIONAL ENGINEER
 No. 481

ENGINEER'S CERTIFICATE:
 I CERTIFY THAT THE PLAN FOR EROSION & SEDIMENT CONTROL REPRESENTS A PRACTICAL & WORKABLE PLAN BASED ON MY PROFESSIONAL KNOWLEDGE OF THE SITE CONDITIONS & THAT IT WAS PREPARED IN ACCORDANCE WITH THE REQUIREMENTS OF THE HOWARD CO. SOIL CONSERVATION DISTRICT.
Howard W. Koltscher
 HOWARD W. KOLTSCHER
 4/6/78
 DATE

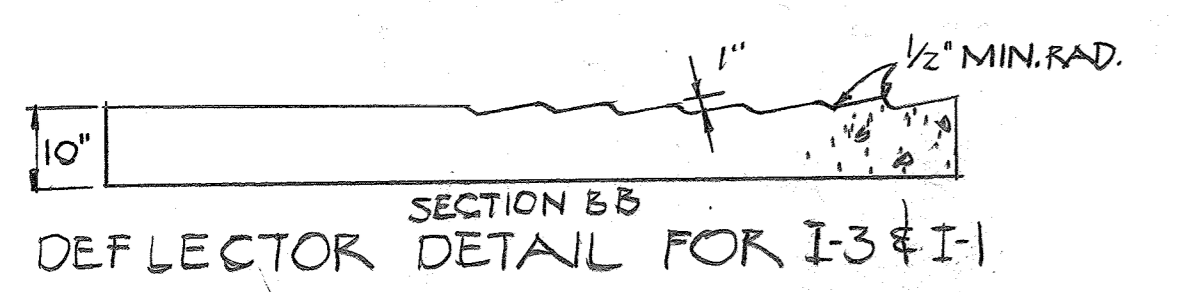
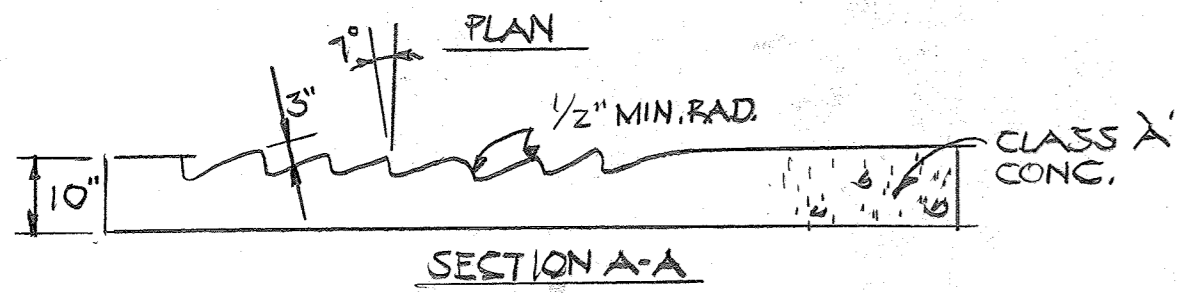
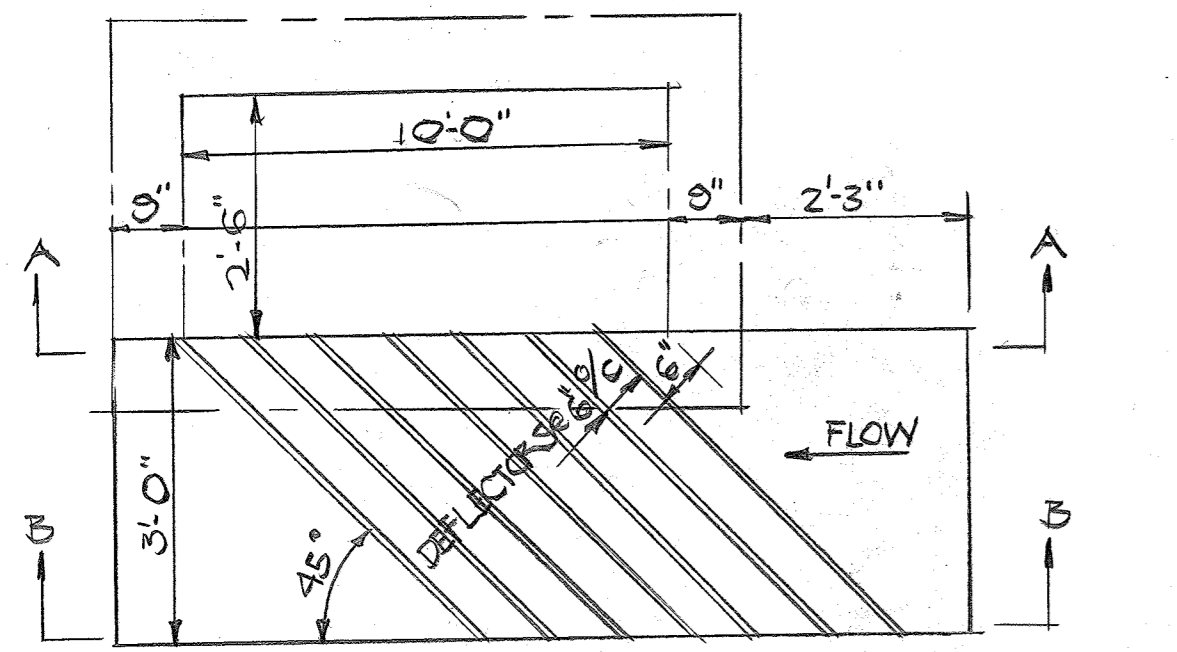
DEVELOPER'S CERTIFICATE
 I CERTIFY THAT ALL DEVELOPMENT AND/OR CONSTRUCTION WILL BE DONE ACCORDING TO THIS PLAN OF DEVELOPMENT & PLAN FOR EROSION & SEDIMENT CONTROL & I AUTHORIZE PERIODIC ON-SITE INSPECTION BY THE HOWARD CO. SOIL CONSERVATION DISTRICT OR THEIR AUTHORIZED AGENTS AS AKE DEEMED NECESSARY. DEVIATION FROM THIS PLAN WILL NOT BE MADE UNLESS AUTHORIZED BY THE HOWARD CO. SOIL CONSERVATION DISTRICT.
Margaret S. Allnutt
 MARGARET S. ALLNUTT
 4-6-78
 DATE

AS BUILT SURVEY DATA BY WALTER PARK MD. E.L.S. 5291 SIGNED & SEALED DATED JULY 12, 1982

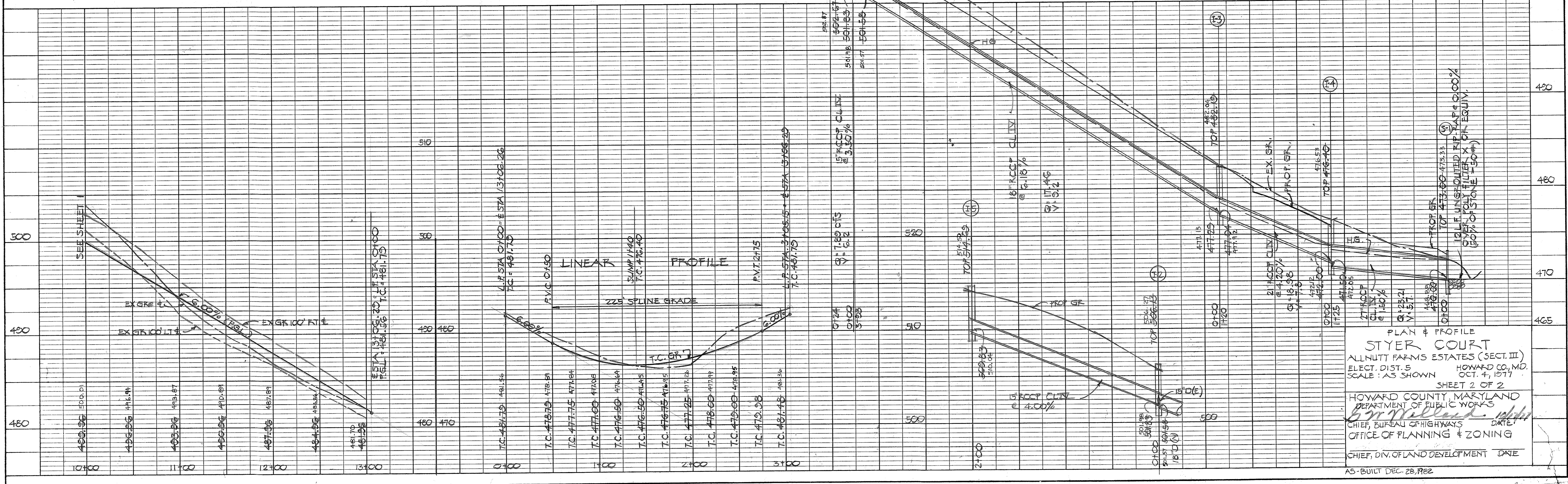
HOWARD CO. SOIL CONSERVATION DISTRICT
 APPROVED FOR SEDIMENT CONTROL
Walter Park
 DISTRICT OFFICIAL
 7-17-78
 TECHNICAL REVIEW FOR DISTRICT BY *Wayne Ross* 7-17-78
 USDA SOIL CONSERVATION SERVICE

OWNER & DEVELOPER
 MR & MRS SMITH W. ALLNUTT JR.
 19288 HIGHLAND RD
 HIGHLAND MD 20777

PLAN
 SURVEYED
 PLOTTED
 ALIGNMENT CHECKED
 NOTE BOOK NO. _____
 RT. OF WAY CHECKED
 NO. _____



PROFILE
 SURVEYED
 GRADES CHECKED
 NOTE BOOK NO. _____
 B.M.'S NOTED
 STRUCTURE NOTED (NO. & CO.)



PLAN & PROFILE
 STYER COURT
 ALLNUTT FARMS ESTATES (SECT. III)
 ELECT. DIST. 5 HOWARD CO., MD.
 SCALE: AS SHOWN OCT. 4, 1977
 SHEET 2 OF 2
 HOWARD COUNTY, MARYLAND
 DEPARTMENT OF PUBLIC WORKS
Walter Park
 CHIEF, BUREAU OF HIGHWAYS DATE: _____
 OFFICE OF PLANNING & ZONING
 CHIEF, DIV. OF LAND DEVELOPMENT DATE: _____
 AS-BUILT DEC. 28, 1982

#544
 Dec. 3

F-78-74