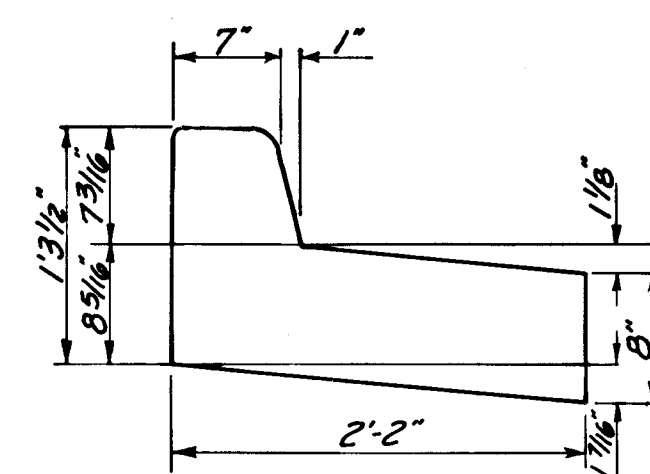
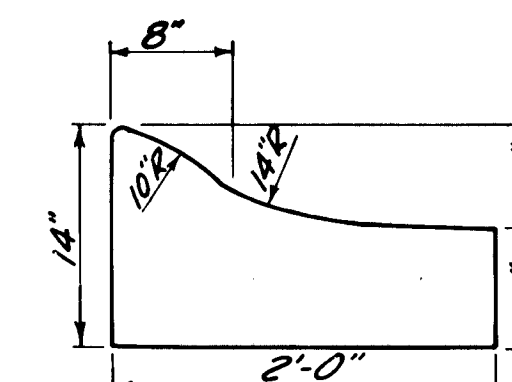


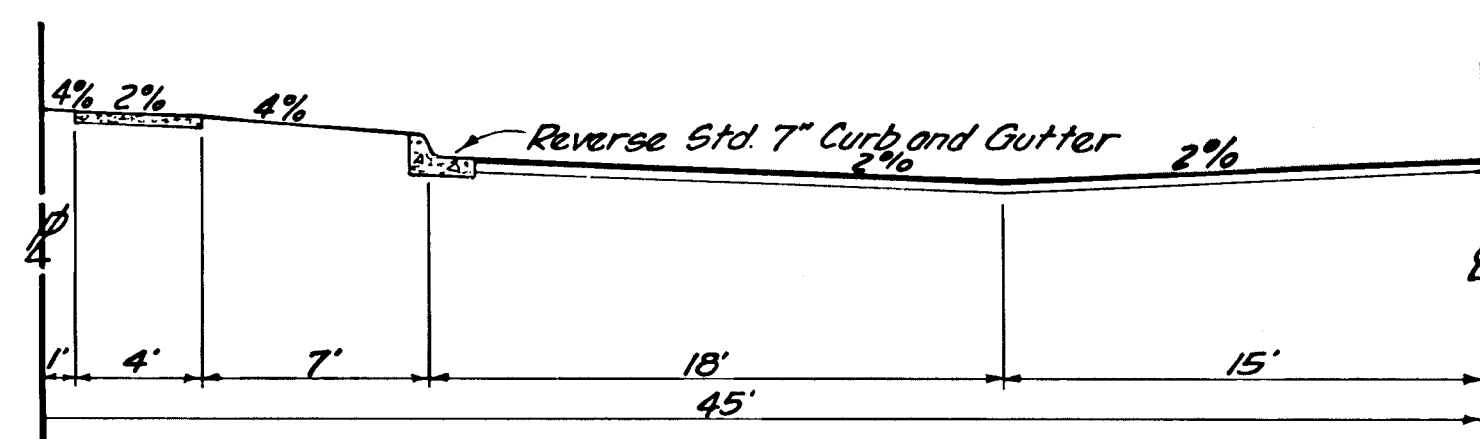
TYPICAL ROAD CROSS SECTION - 70' R.O.W.



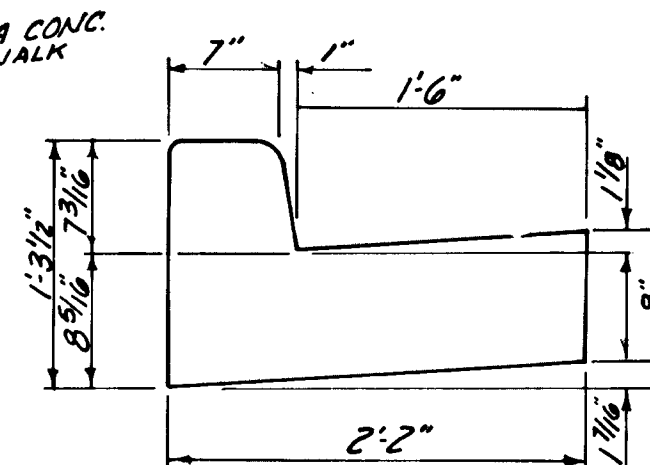
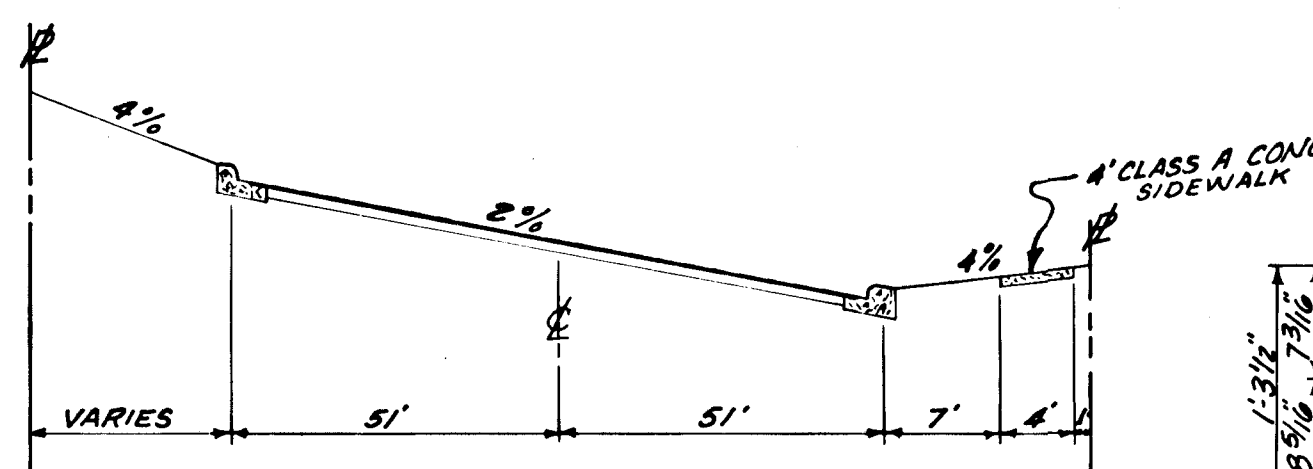
REVERSE STD. 7\"/>



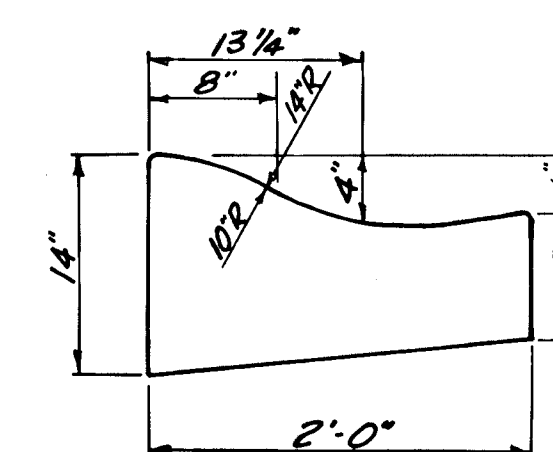
REVERSE MOUNTABLE CURB AND GUTTER



TYPICAL ROAD HALF SECTION 90' R.O.W.

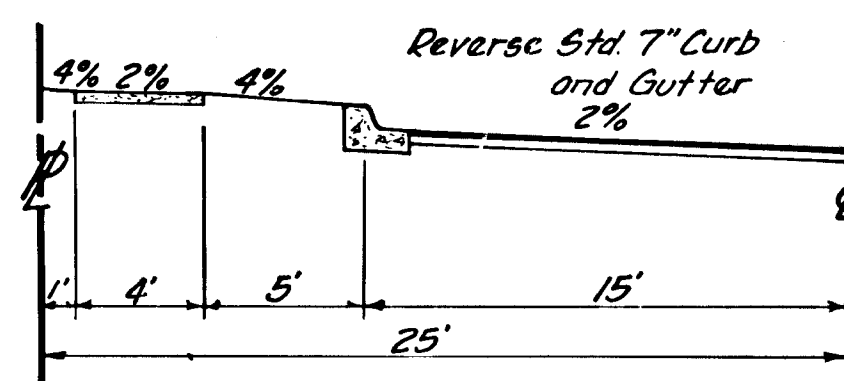


STD. 7\"/>

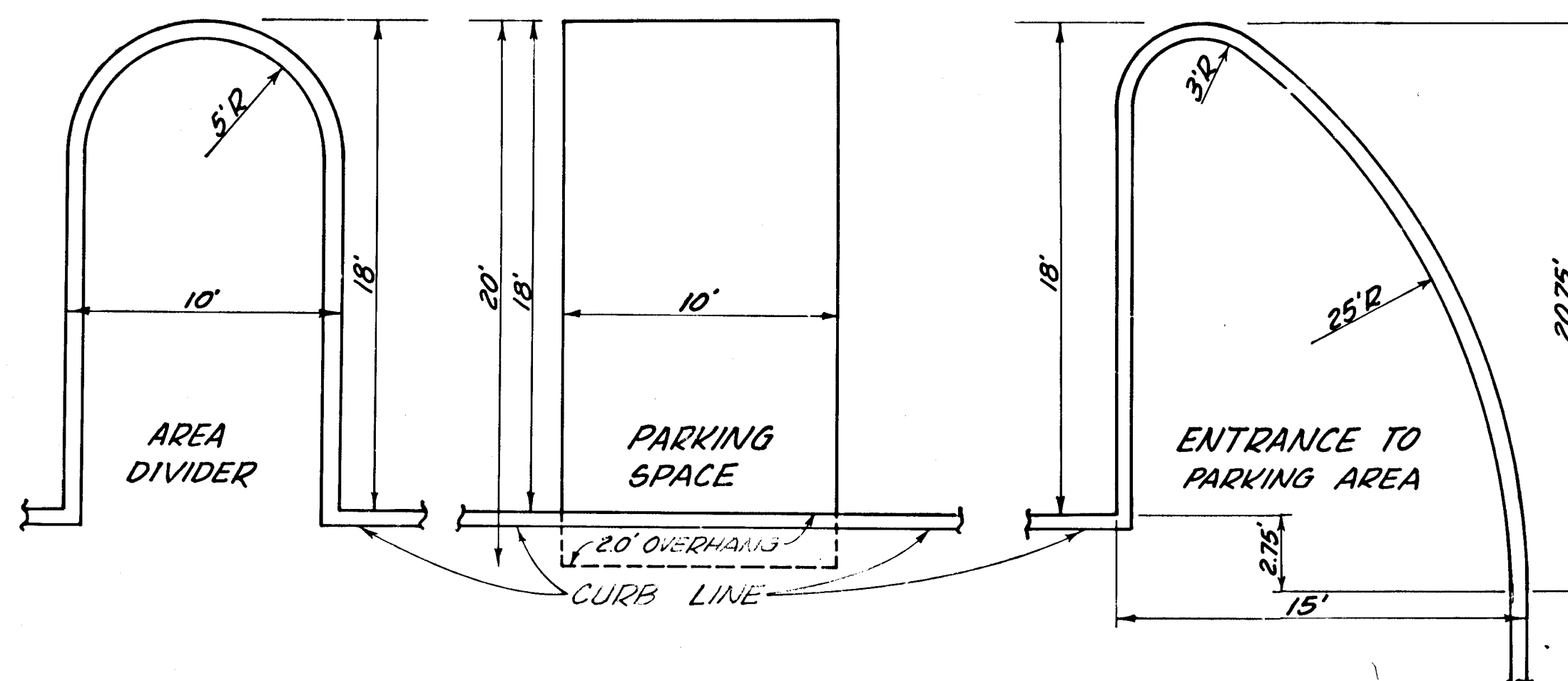


MODIFIED COMBINATION GUTTER

NOTE: PAVING SECTION TO CONSIST OF 5\"/>



TYPICAL ROAD HALF SECTION 50' R.O.W.



TYPICAL PARKING DETAILS

INDEX

- SHEET 1 OF 6 ROAD DETAILS
- SHEET 2 OF 6 DRAINAGE AREA MAP
- SHEET 3 OF 6 DRAINAGE PLAN
- SHEET 4 OF 6 DRAINAGE PROFILES
- SHEET 5 OF 6 ROAD CONSTRUCTION PLANS
- SHEET 6 OF 6 ROAD CONSTRUCTION PLANS

ROAD DETAILS

STRATHMORE AT COLUMBIA PART 3

VILLAGE OF HARPERS CHOICE
 SEC 3, AREA 3, RESUB OF LOT 1
 HOWARD COUNTY, MARYLAND - ELECTION DISTRICT N# 5
 OWNER & DEVELOPER
 THE HOMER DEVELOPMENT CORP.
 C/O SMITH, SOMERVILLE & CASE, 1700 ONE CHARLES CENTER
 BALTIMORE, MARYLAND
 ENGINEERING DEPARTMENT LEVITT & SONS, INCORPORATED
 7411 RIGGS ROAD, HYATTSVILLE, MARYLAND

DEPARTMENT OF PUBLIC WORKS
Granville W. Meland 10-3-69
 CHIEF, BUREAU OF HIGHWAYS DATE

OFFICE OF PLANNING AND ZONING
F. H. Meredith 10-29-69
 CHIEF ENGINEER DIVISION OF LAND DEVELOPMENT DATE

F. H. Meredith 10/21/69
 F. H. MEREDITH, P.E., MD. NO. 6802

RP 11C

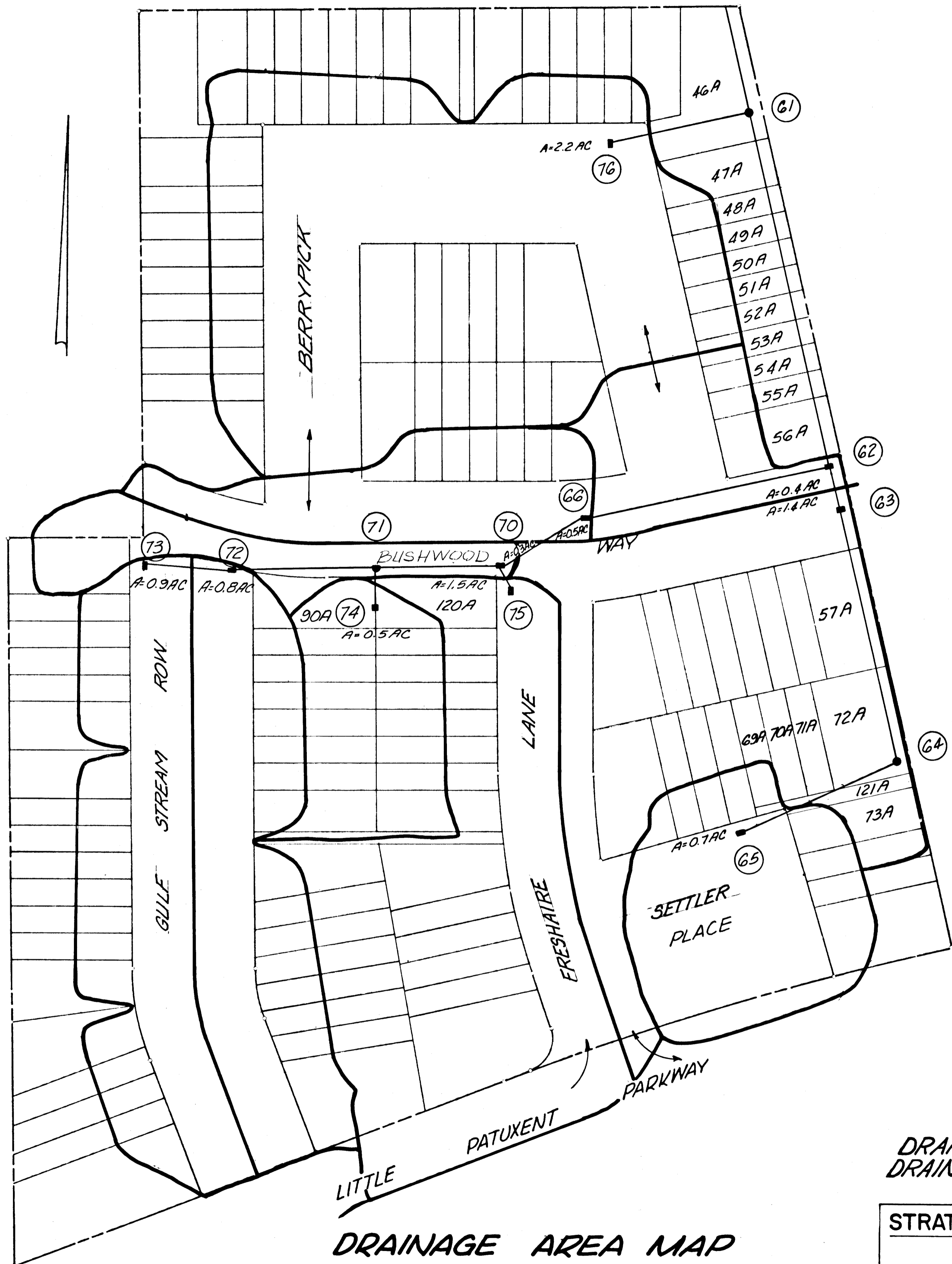
Levitt & Sons

F. H. Meredith 10/21/69
 CHIEF ENGINEER - F. H. MEREDITH, P.E. MD. NO. 6802

REVISIONS	EXAMINED FOR	SHEET	SCALE NONE
	STORM DRAINS	No. 6	DATE
	R.W. REQUIRED	OF 6	DRAWING NO. 43-70035
	OTHER UTILITIES		

BRUNING 84-C

#11

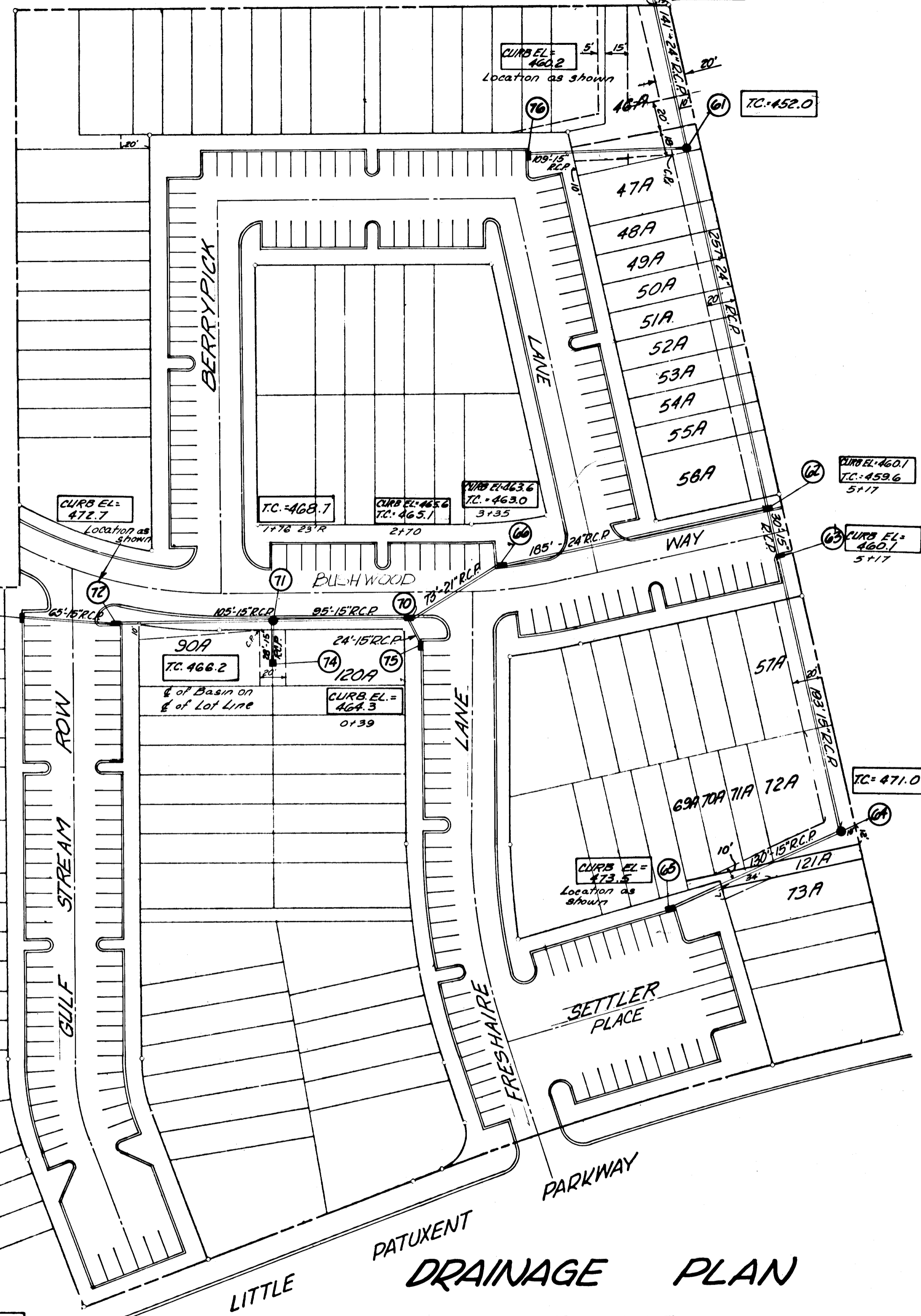


DRAINAGE AREA MAP

DRAINAGE PLAN & DRAINAGE AREA MAP

**STRATHMORE AT COLUMBIA
PART 3**

VILLAGE OF HARPERS CHOICE
SEC. 3, AREA 3, RESUB. OF LOT 1
HOWARD COUNTY, MARYLAND - ELECTION DISTRICT # 5
OWNER & DEVELOPER
THE HOMER DEVELOPMENT CORP.
C/O SMITH, SOMERVILLE & CASE, 1700 ONE CHARLES CENTER
BALTIMORE, MARYLAND



DRAINAGE PLAN

DEPARTMENT OF PUBLIC WORKS
Dorville M. Weiland 10-3-69
CHIEF, BUREAU OF HIGHWAYS DATE
OFFICE OF PLANNING AND ZONING
J. A. Clavens 10-29-69
CHIEF ENGINEER, DIVISION OF LAND DEVELOPMENT DATE

REVISIONS	EXAMINED FOR	SHEET	SCALE 1"=50'
	STORM DRAINS	No. 2	DATE
	R/W REQUIRED	OF 6	DRAWING No. 43-75525
	OTHER UTILITIES		

BRUNING 44-510 10669

RP 11C

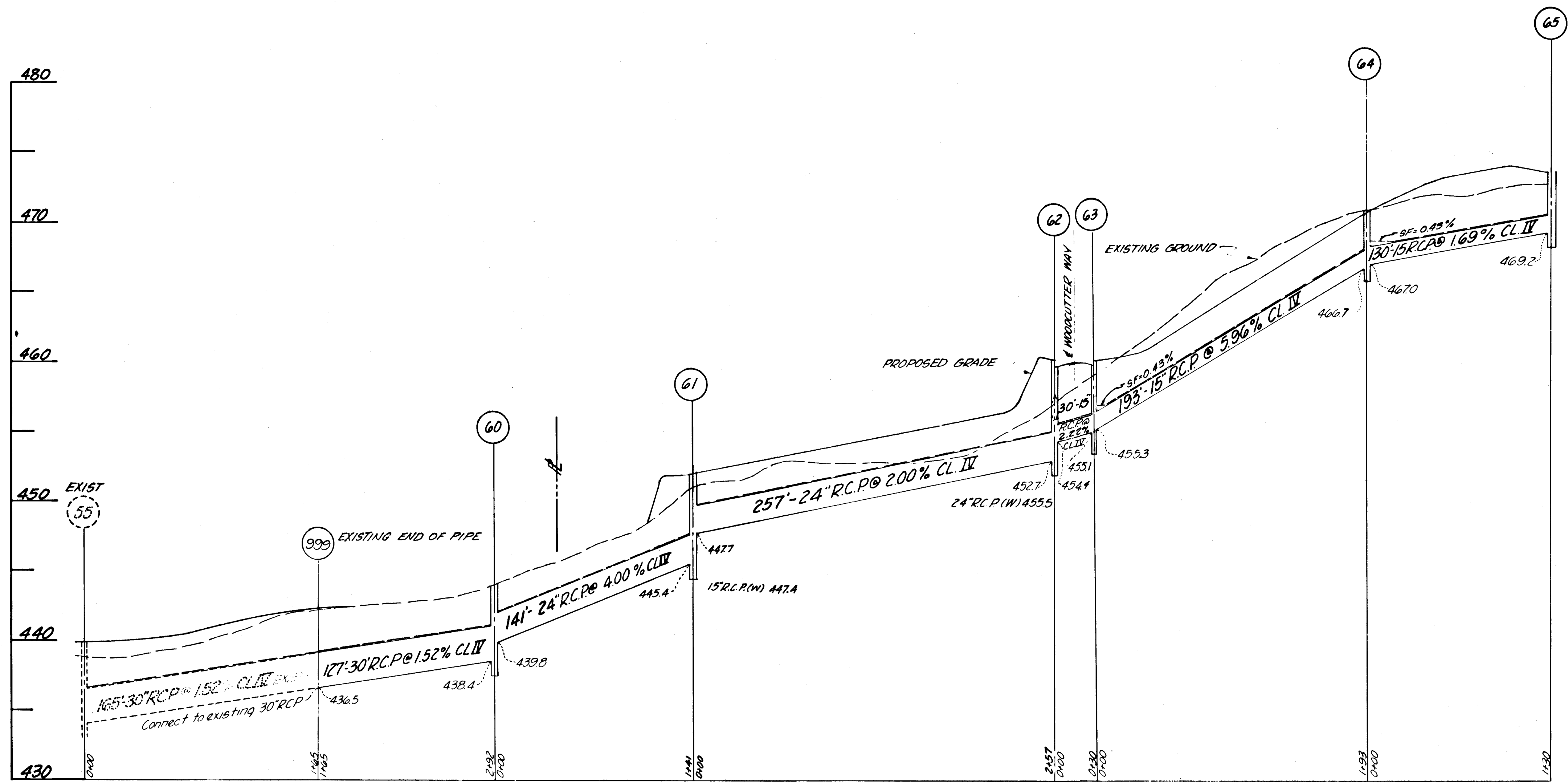
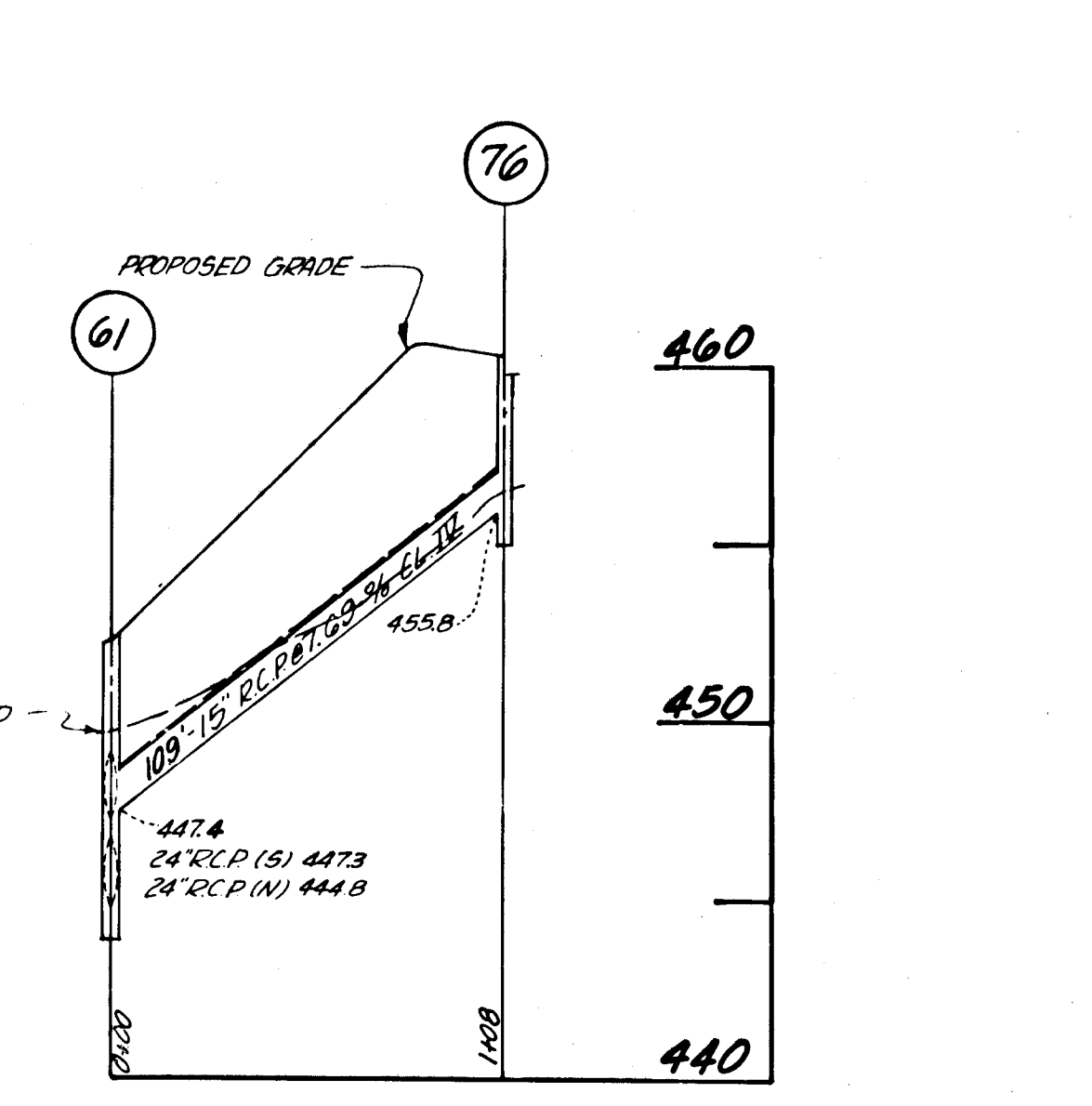
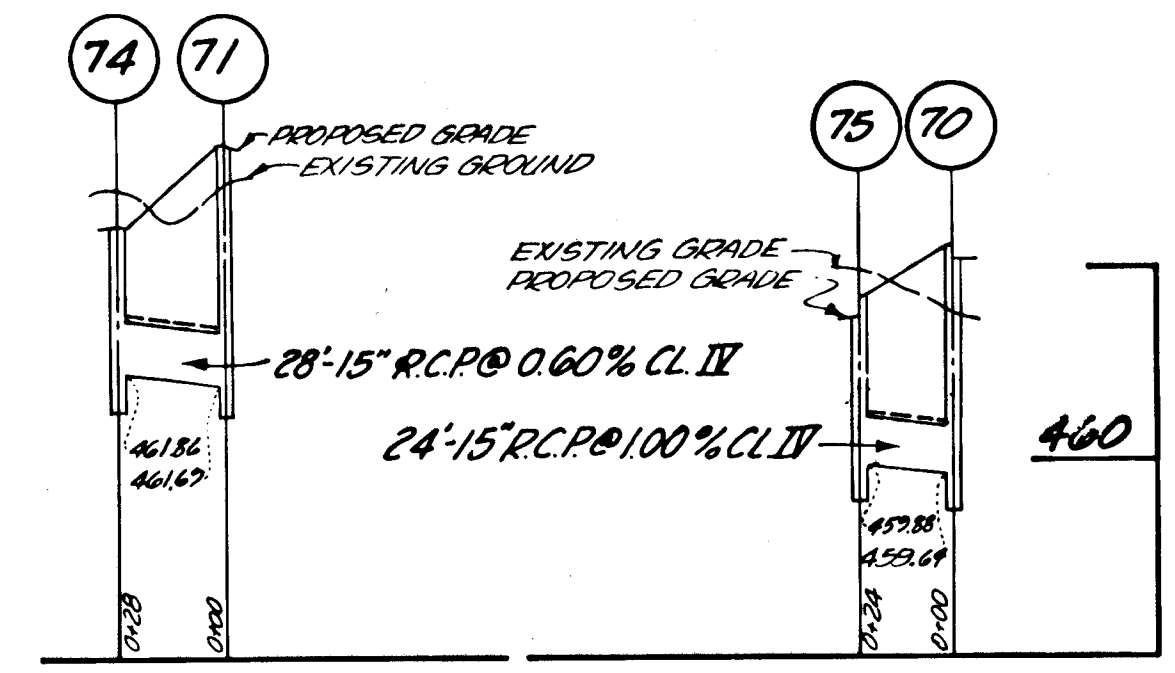
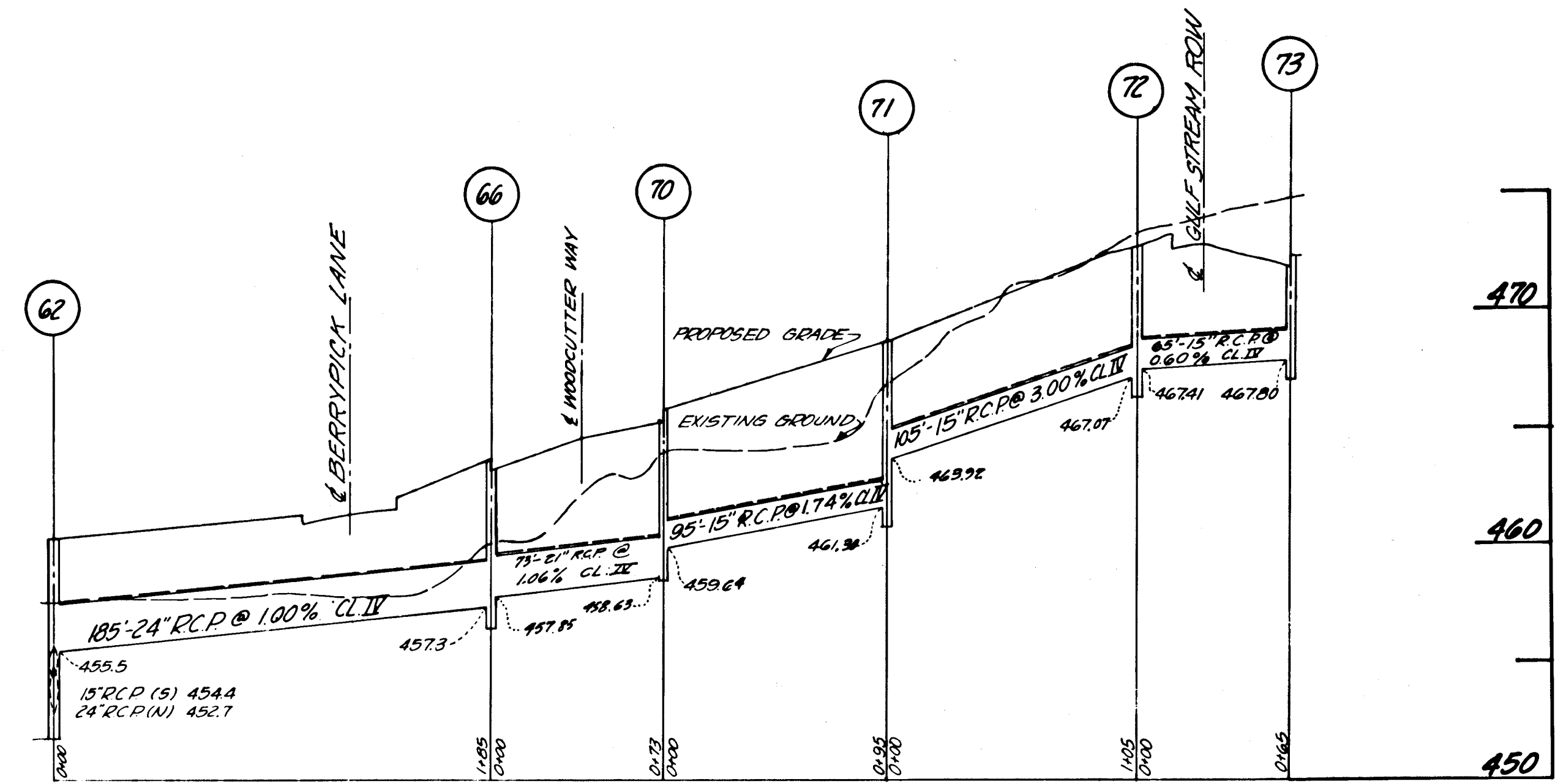
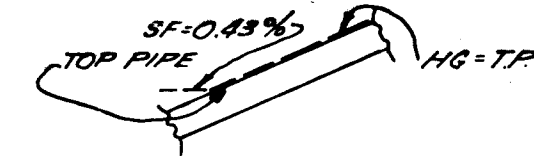
Levitt and Sons
F. J. Meredith 10/16/69
F. J. Meredith
CHIEF ENGINEER - F. J. MEREDITH, P.E. MD. NO. 6902

"STORM DRAIN DESIGN DATA"

LOCATION		ACRES		COEF C%	TIME CONCET		MIN I"	INTEN C.F.S.	PIPE N=0.015				STD DETAIL				
FROM	TO	SUB.	TOTAL		INLET	TOTAL IN PIPE			TIME	SIZE	FRICION SLOPE	PIPE SLOPE	VEL	INLET TYPE	DWG.	PG. NO	
73	72	0.9	0.9	0.60	10.0	0.4	10.0	5.76	3.1	15"	0.22	0.60	2.5	65	H	D-76	131
72	71	0.8	1.7	0.60	10.0	0.4	10.4	5.79	5.9	15"	1.09	3.00	4.3	105	H	D-76	131
74	71	0.5	0.5	0.60	10.0	0.3	10.0	5.76	1.6	15"	0.10	0.60	1.9	18	C	64-C	119-C
71	70	0.0	2.2	0	-0-	0.2	10.3	5.75	7.4	15"	1.74	1.74	6.0	95	MH	D-103	158
75	70	1.5	1.5	0.60	10.0	0.1	10.3	5.86	5.3	15"	0.89	1.00	4.3	24	H	D-76	131
70	66	0.3	4.0	0.90	2.0	0.2	11.1	5.68	14.0	21"	1.06	1.06	5.8	73	DBL"S"	D-99	154
66	62	0.5	4.5	0.90	1.0	0.6	11.3	5.63	16.4	24"	0.70	1.00	5.2	85	DBL"S"	D-99	154
65	64	0.7	0.7	0.90	8.0	0.7	5.0	6.10	3.7	15"	0.43	1.69	3.3	130	H	D-76	131
64	63	0.0	0.7	0	-0-	1.1	8.0	6.10	3.7	15"	0.43	5.96	3.7	193	MH	D-103	158
63	62	1.4	2.1	0.60	10.0	0.1	9.8	5.89	8.4	15"	2.22	2.22	6.8	30	H	D-76	131
62	61	0.4	7.0	0.90	8.0	0.5	12.0	5.54	25.9	24"	2.00	6.3	25.1	108	DBL"S"	D-99	154
75	61	2.2	2.2	0.60	9.0	0.3	19.0	6.09	7.8	15"	1.91	7.69	6.1	108	H	D-76	131
61	60	0.0	9.2	0	-0-	0.2	12.5	5.42	32.4	24"	2.23	4.60	19.3	141	MH	D-103	158
60	399	0.0	9.2	0	-0-	0	12.5	5.42	32.4	30"	0.84	1.52	6.6	127	MH	D-103	158

NOTE

- Hydraulic Gradient is Top of Pipe or, Shown Thusly
- All Drawing Numbers refer to HOWARD COUNTY CONSTRUCTION CODE AND STANDARD SPECIFICATION, dated November 27, 1962 with all SUBSEQUENT REVISIONS.



DRAINAGE PROFILES

STRATHMORE AT COLUMBIA PART 3

VILLAGE OF HARPERS CHOICE
SEC. 3, AREA 3, RESUB. OF LOT 1
HOWARD COUNTY, MARYLAND - ELECTION DISTRICT # 5
OWNER & DEVELOPER
THE HOMER DEVELOPMENT CORP.
C/O SMITH, SOMERVILLE & CASE, 1700 ONE CHARLES CENTER
BALTIMORE, MARYLAND

BRUNING 44.510 10869

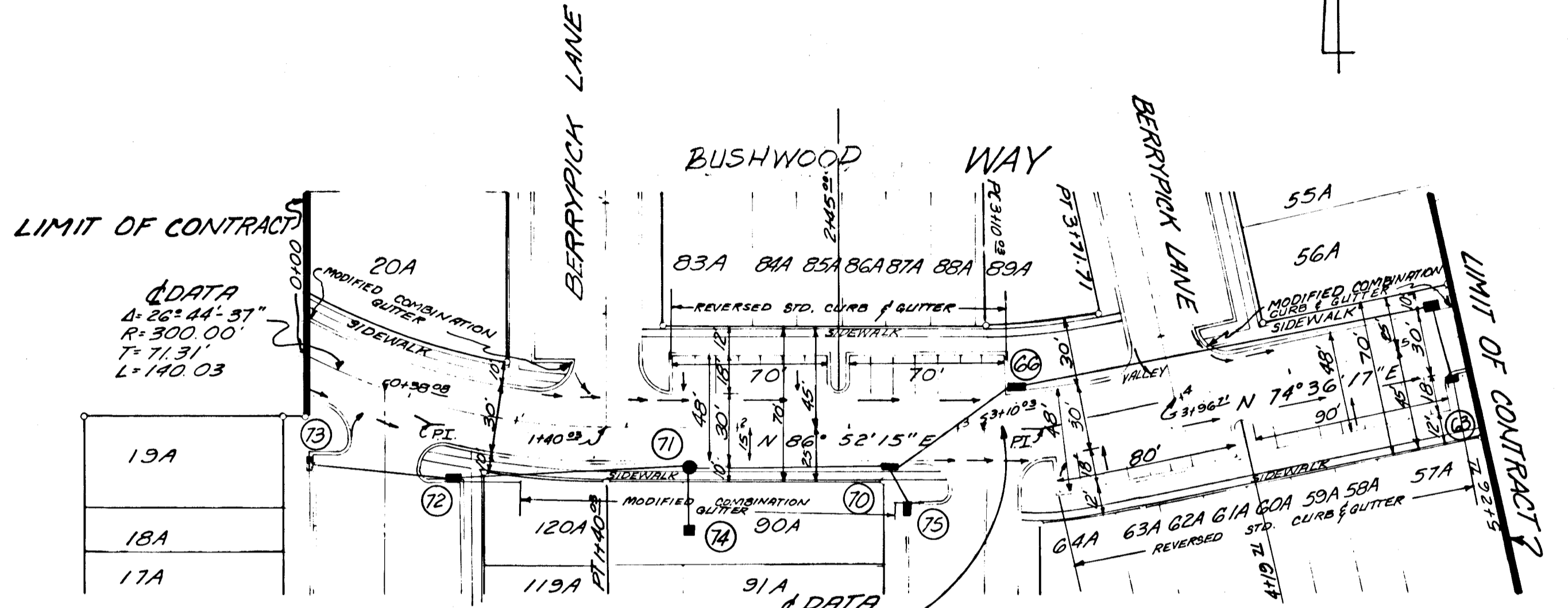
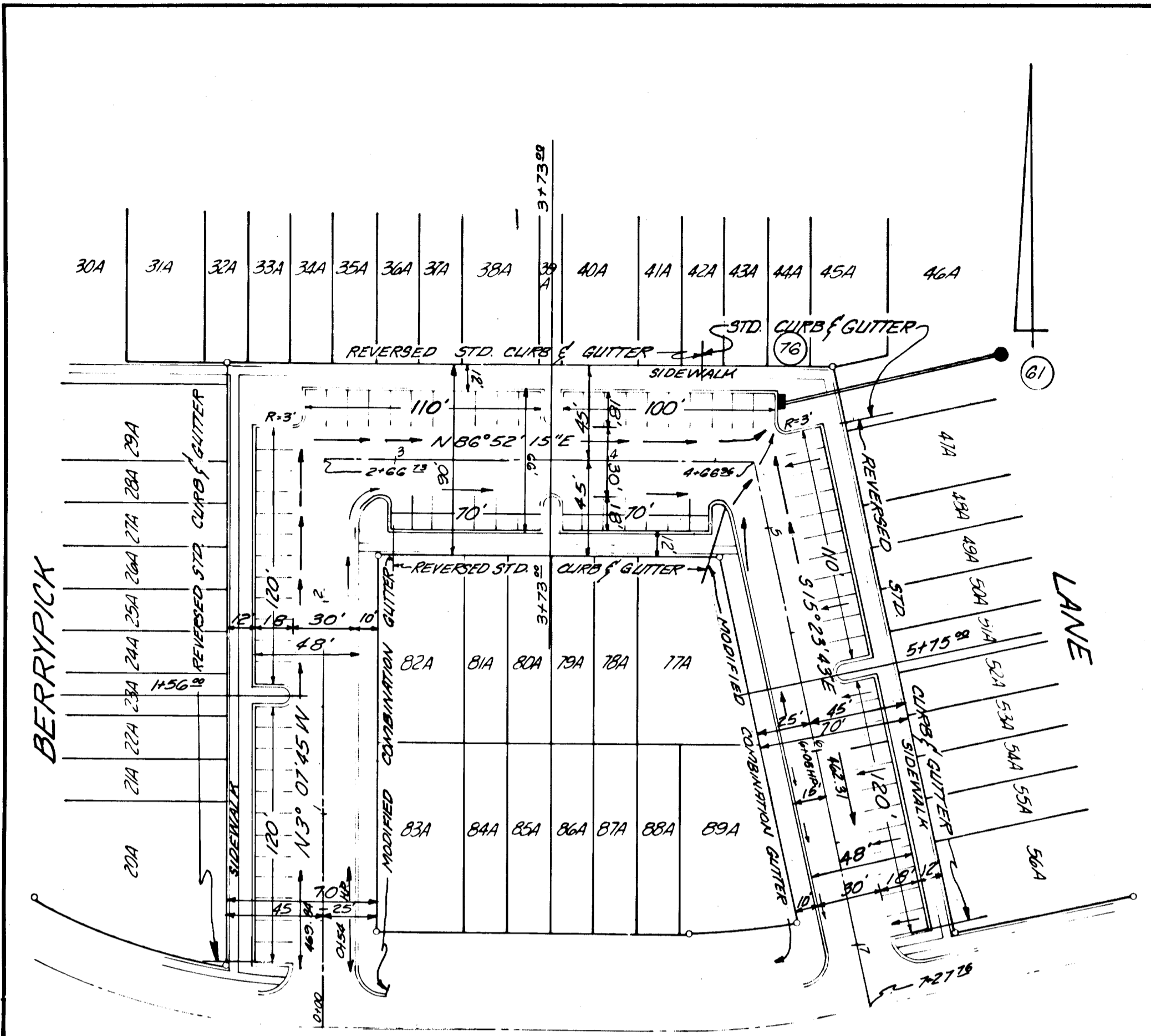
RP 11C	 7th Member CHIEF ENGINEER F.H. MEREDITH PE MD 6802	DEPARTMENT OF PUBLIC WORKS 10-3-69 CHIEF BUREAU OF HIGHWAYS OFFICE OF PLANNING AND ZONING 10-29-69 CHIEF ENGINEER DIVISION OF LAND DEVELOPMENT	REVISIONS EXAMINED FOR STORM DRAINS R.W. REQUIRED OTHER UTILITIES	SHEET No. 3 OF 8	SCALE 1"=5' VERT 1"=50' HORIZ DATE DRAWING NO. 43-26015

NOTE:
 ALL CONSTRUCTION WILL BE IN CONFORMANCE WITH HOWARD COUNTY ROAD SPECIFICATIONS.
 MINIMUM BUILDING SETBACK RESTRICTION FROM PROPERTY LINE AND RIGHT OF WAY OF ANY PUBLIC ROAD OR STREET IS TO BE IN ACCORDANCE WITH THE RECORDED FINAL DEVELOPMENT PLAN CRITERIA.
 ALL CORNER RADII TO BE 25' TO FACE OF CURB UNLESS OTHERWISE NOTED (SEE DETAIL SHEET).
 SEE ROAD CROSS SECTIONS ON DETAIL SHEET

"I CERTIFY THAT THE PLAN OF DEVELOPMENT AND THE PLAN FOR CONTROL OF SILT AND EROSION MEETS THE REQUIREMENTS, STANDARDS, AND SPECIFICATIONS OF THE HOWARD SOIL CONSERVATION DISTRICT."
 (SEAL) *F.H. Meredith* 10/21/69 (DATE)
 F. H. MEREDITH
 P. E. NO. 6802

"I CERTIFY THAT ALL DEVELOPMENT AND/OR CONSTRUCTION WILL BE DONE ACCORDING TO THIS PLAN OF DEVELOPMENT AND PLAN OF SILT AND SEDIMENT CONTROL."
John Krumm 10/21 (DATE)
 THE HOMER DEVELOPMENT CORP.

"THIS DEVELOPMENT PLAN IS APPROVED FOR SOIL EROSION AND SEDIMENT CONTROL BY THE HOWARD SOIL CONSERVATION DISTRICT."
 REVIEWED _____ (DATE)
 DIST. CONSERVATIONIST
 APPROVED _____ (DATE)
 HOWARD SOIL CONSERVATION DISTRICT



PROFILE LEGEND

EXISTING	—
PROPOSED	- - -
LEFT	←
RIGHT	→

DEPARTMENT OF PUBLIC WORKS
Francis W. Wehner 11-3-69
 CHIEF, BUREAU OF HIGHWAYS DATE

OFFICE OF PLANNING AND ZONING
J. J. Clawson 10-29-69
 CHIEF ENGINEER, DIVISION OF LAND DEVELOPMENT DATE

ROAD CONSTRUCTION PLANS

STRATHMORE AT COLUMBIA
PART 3

VILLAGE OF HARPERS CHOICE
 SEC 3, AREA 3, RESUB OF LOT 1
 HOWARD COUNTY, MARYLAND - ELECTION DISTRICT NO. 5
 OWNER & DEVELOPER
 THE HOMER DEVELOPMENT CORP.
 C/O SMITH, SOMERVILLE & CASE, 1700 ONE CHARLES CENTER
 BALTIMORE, MARYLAND

PREPARED BY
 ENGINEERING DEPARTMENT LEVITT & SONS, INCORPORATED
 7411 RIGGS ROAD, HYATTSVILLE, MARYLAND

SCALE: 1"=50' DATE: 1969 SHEET 4 OF 6
F.H. Meredith 10/21/69 DRAWING NO.
 F. H. MEREDITH, P.E. MD. NO. 6802 43-84045

