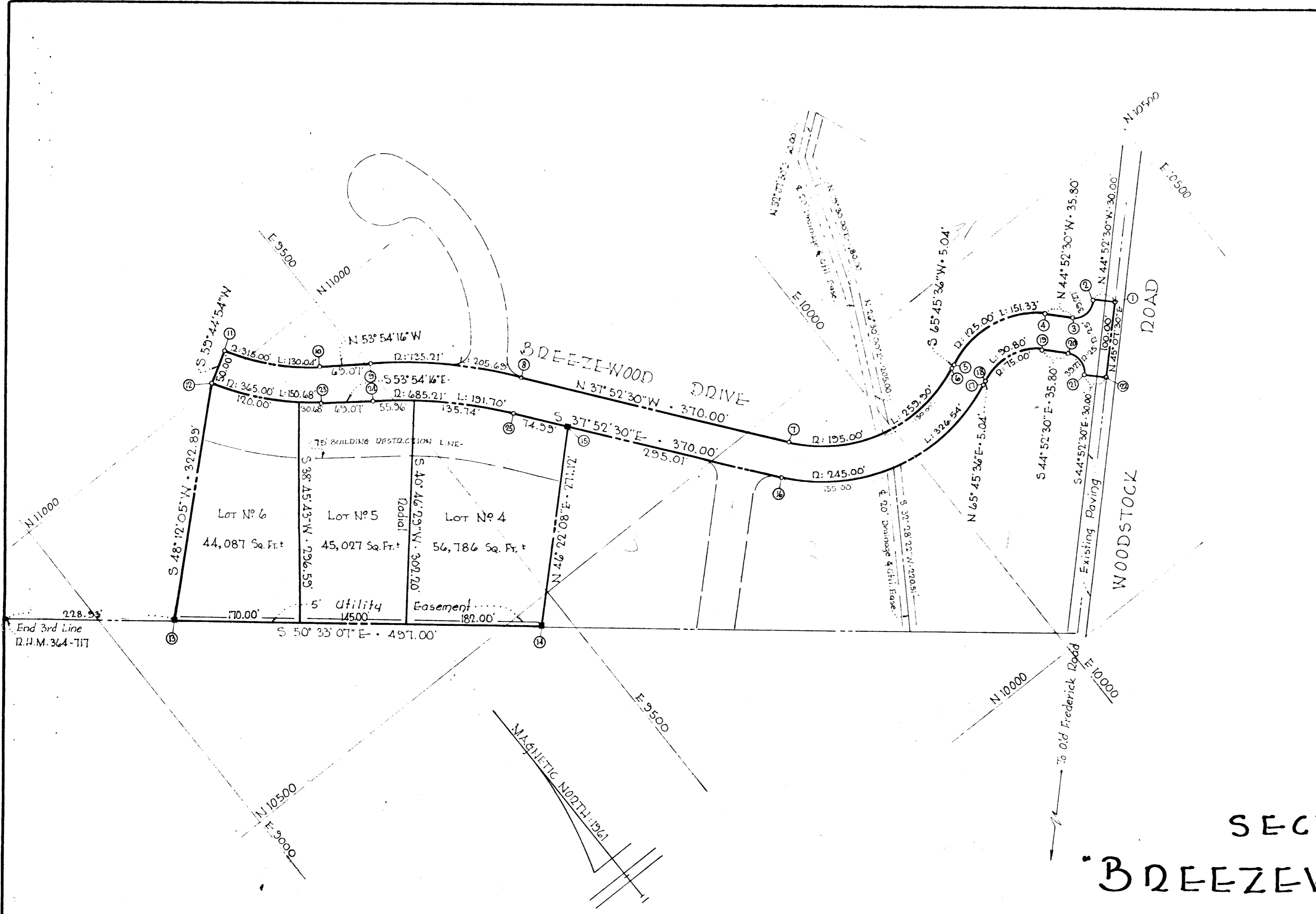


No	NORTH	EAST	No	NORTH
1	10326.41	10335.77	14	10470.01
2	10347.67	10318.61	15	10657.09
3	10347.75	10283.25	16	10424.22
4	10373.12	10257.99	17	10351.24
5	10398.90	10118.09	18	10353.31
6	10396.83	10113.49	19	10337.84
7	10454.92	9879.50	20	10312.47
8	10746.98	9652.34	21	10277.11
9	10889.68	9505.14	22	10255.85
10	10930.37	9449.33	23	10889.96
11	11026.21	9362.80	24	10849.27
12	11001.00	9319.62	25	10716.28
13	10785.79	9078.91		

No	RADIUS	LENGTH	TANGENT	DELTA	CHORD BEARING	CHORD DIST
2-3	25.00	39.21	25.00	90°00'00"	N 89°52'30"W	35.36
4-5	125.00	151.33	86.50	69°21'54"	N 79°33'27"W	142.26
6-7	195.00	259.90	153.35	76°21'54"	N 76°03'27"W	241.09
8-9	735.21	205.69	103.52	16°01'46"	N 45°53'23"W	205.02
10-11	315.00	130.04	65.96	23°39'10"	N 42°04'41"W	129.12
16-17	245.00	326.54	192.67	76°21'54"	S 76°03'27"E	302.90
18-19	75.00	90.80	51.90	69°21'54"	S 79°33'27"E	85.35
20-21	25.00	39.21	25.00	90°00'00"	S 00°01'30"W	35.36
22-23	365.00	150.68	76.43	23°39'10"	S 42°04'41"E	149.61
24-25	685.21	191.70	96.48	16°01'46"	S 45°53'23"E	190.94



RECORDED PLAT BOOK 8 FOLIO 89
ON 8-22 1962 AMONG THE LAND RECORDS OF
HOWARD COUNTY, MD.

SECTION ONE "BREEZEWOOD FARMS"

3RD ELECTION DISTRICT, HOWARD COUNTY, MD.

June 15, 1961

Scale: 1"=100'

OWNER AND DEVELOPER
RUSSELL V. BECKETT AND PAUL L. GAA
WOODSTOCK, MARYLAND

RECEIVED

JUN 19 1961

HOWARD COUNTY
PLANNING COMMISSION

NOTE:
The origin of the coordinates
shown hereon is assumed.

APPROVED: HOWARD COUNTY PLANNING COMM.
Wilma M. Lamm 8-15-62
Chairman
Thomas A. Harlan 8-15-62
Director

APPROVED: HOWARD COUNTY HIGHWAYS DEPARTMENT
Herman S. Hall 8-21-62
Roads Engineer

APPROVED: HOWARD COUNTY METROPOLITAN COMM.
Carl W. Meyer 8-17-62
Chief Engineer

OWNERS CERTIFICATE:
We, Russell V. Beckett and Hazel L. Beckett, his wife and Paul L. Gaa and Lillian R. Gaa, his wife, owners of the property shown and described hereon, adopt this plan of subdivision and reserve the fee simple title to the beds of the streets and/or roads shown hereon and in consideration of the plat by the Planning Commission of Howard County, we for ourselves, our heirs or assigns do hereby give and grant unto the Board of County Commissioners the right and option to acquire for the consideration of One Dollar, the fee simple title to the beds of the streets and/or roads shown hereon within the period of five years from the date of the recording of this plat among the Land Records of Howard County, Maryland. Witness our hands and seals this 14th day of June, 1961.

Russell V. Beckett
Hazel L. Beckett

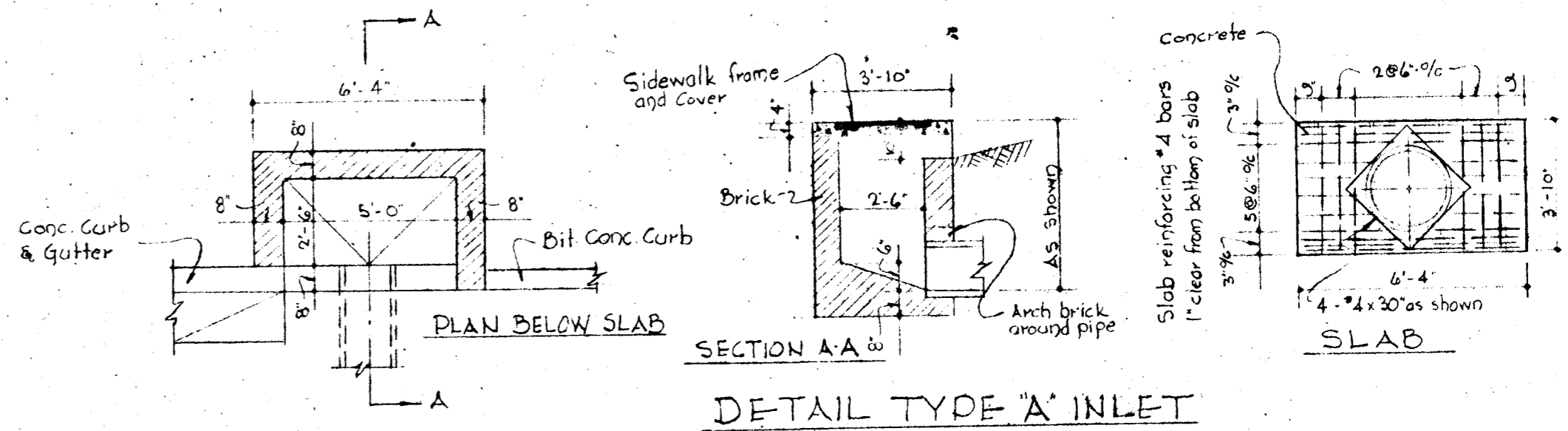
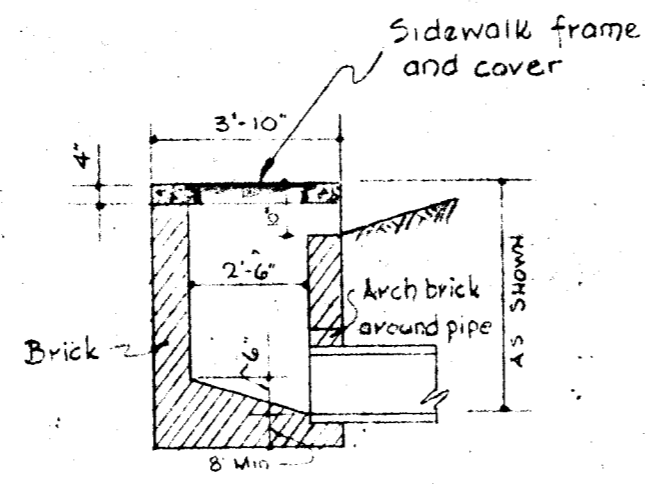
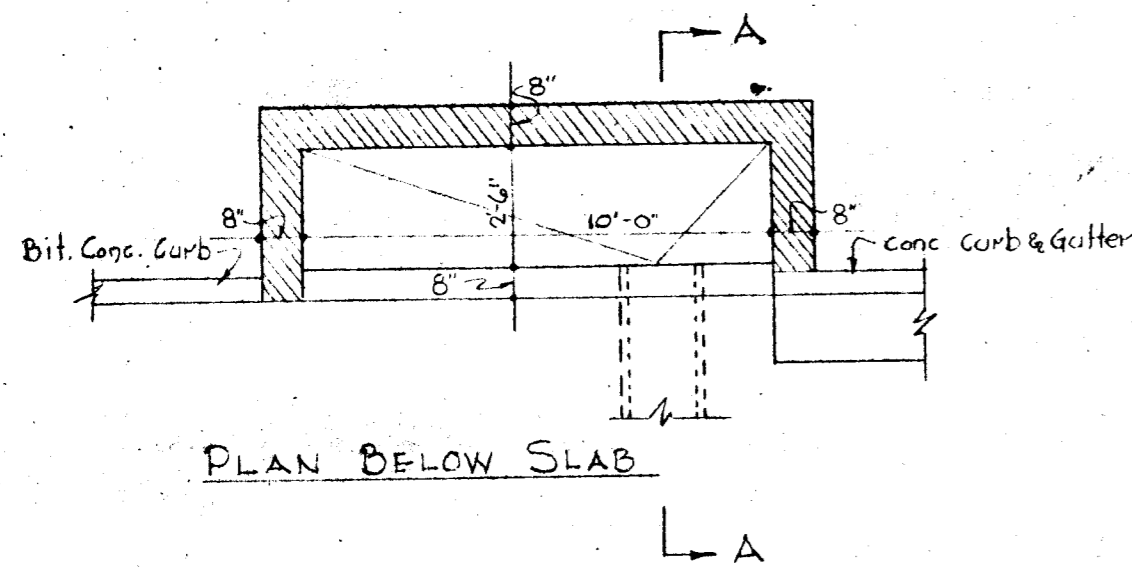
Paul L. Gaa
Lillian R. Gaa

ENGINEER'S CERTIFICATE:
I, Curt A. H. Deschke, hereby certify that the plan shown hereon is correct, that it is a subdivision of a part of the land which by deed dated February 9, 1961 and recorded among the Land Records of Howard County, Md., in Liber D.H.M. 364 at Folio 717, was granted and conveyed by Robert M. Cabell, Et. Al. to Russell V. Beckett and Hazel L. Beckett, his wife and Paul L. Gaa and Lillian R. Gaa, his wife, and that concrete monuments marked thus ■ are in place as shown. I further certify that the requirements of Section 20 B, Article 17 of the Annotated Code of Maryland (as amended) as far as they relate to the making of this plat have been complied with.

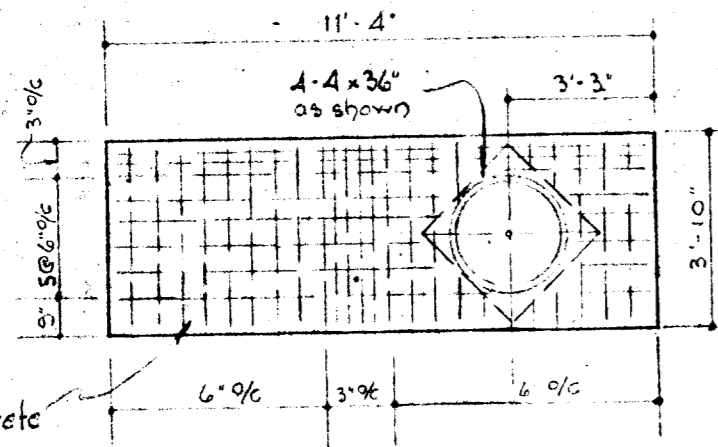
June 14, 1961
Curt A. H. Deschke
DATE: REG. NO. 2351

PURDUM AND JESCHKE
ENGINEERS
24 Park Avenue
Ellicott City, Maryland

FSP-129



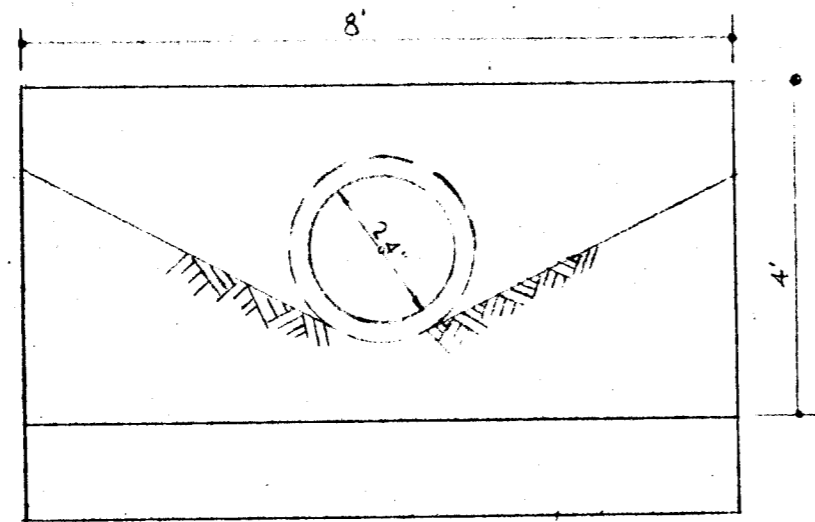
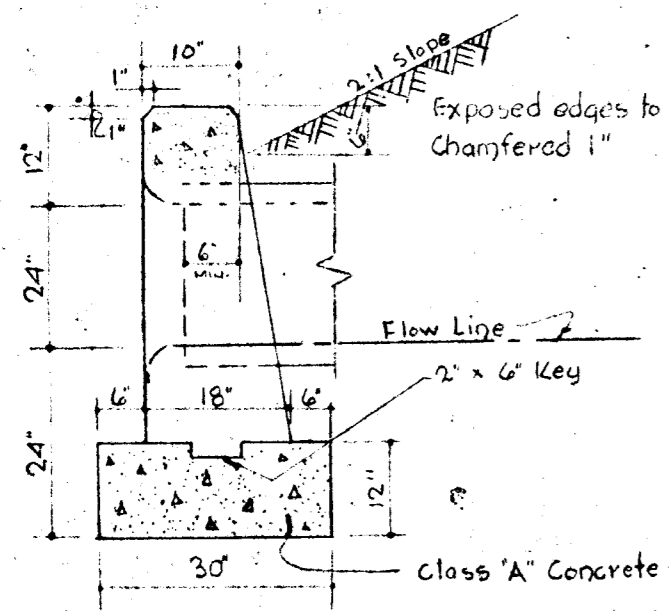
Slab reinforcing #4 bars 1' clear from bottom of slab



SECTION A-A

DETAIL TYPE "B" INLET

SLAB:



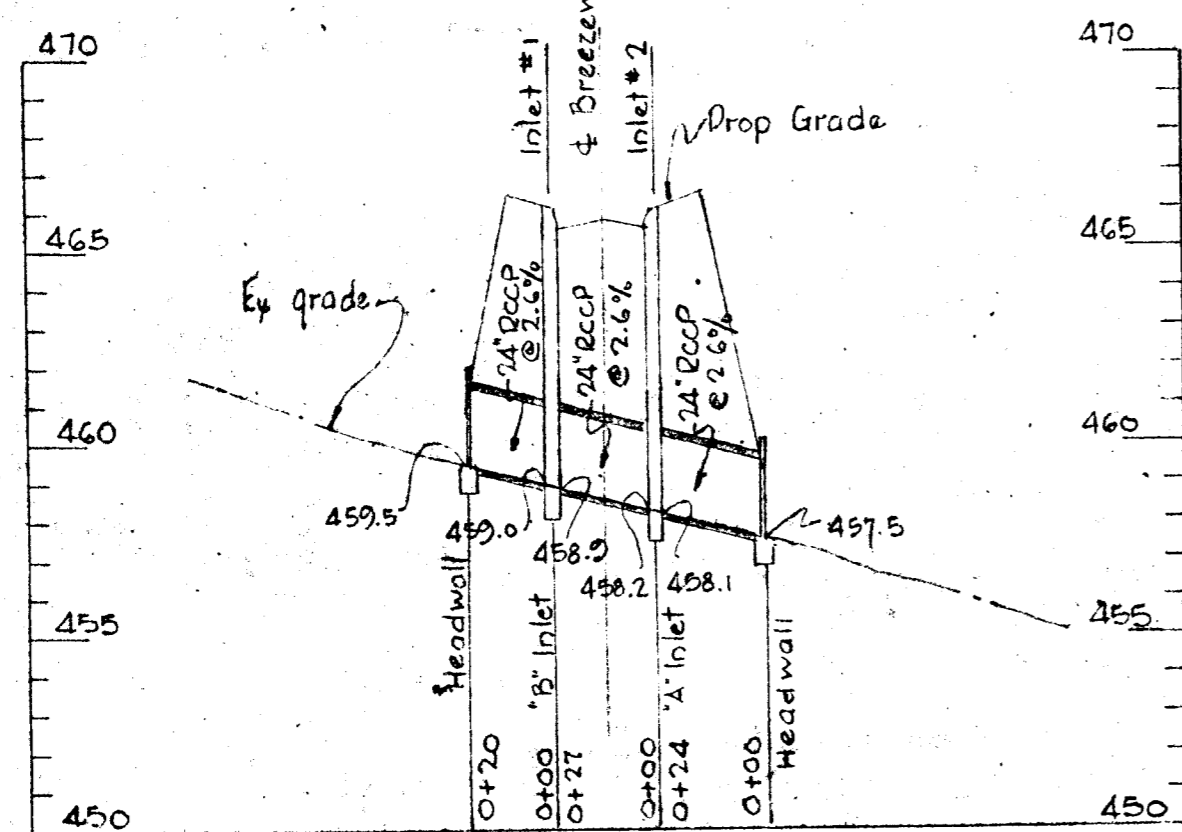
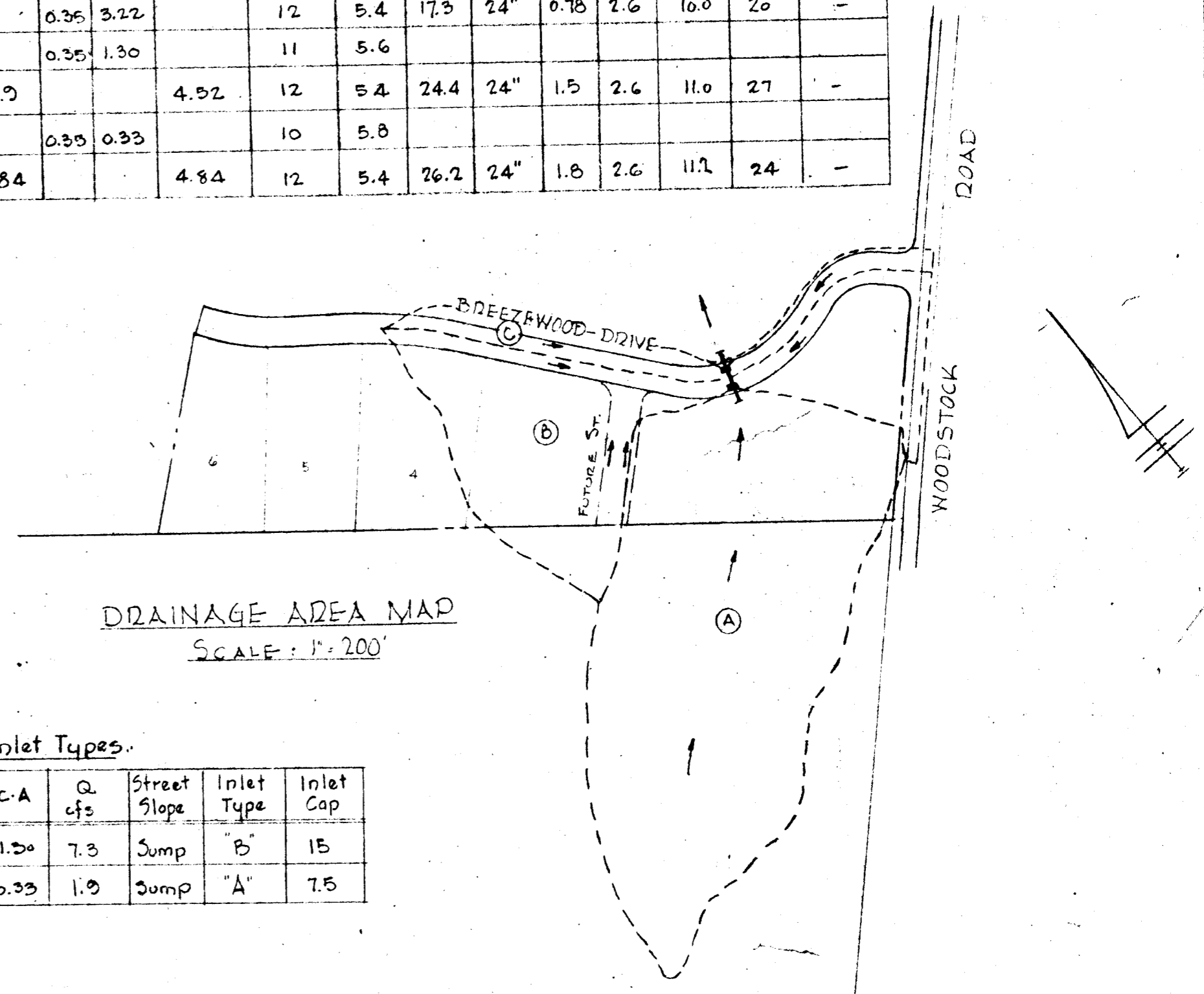
DETAIL TYPE "B" HEADWALL

Computation of Pipes

Area No	Incr. Ac.	Total Ac.	C	C.A	Accum C.A	Time Concen.	I in/hr	Q cfs	Pipe Size	Slope %		Vel	L ft.	Time in pipe
										Min	Act.			
A	9.2		0.35	3.22		12	5.4	17.3	24"	0.78	2.6	10.0	20	-
B	3.7		0.35	1.30		11	5.6							
A-B		12.9			4.52	12	5.4	24.4	24"	1.5	2.6	11.0	27	-
C	0.94		0.35	0.33		10	5.8							
A-B-C		13.84			4.84	12	5.4	26.2	24"	1.8	2.6	11.2	24	-

Computation of Inlet Types

Inlet No	Area Ac	Time Concen	I in/hr	C	C.A	Q cfs	Street Slope	Inlet Type	Inlet Cap
1	3.7	11 min	5.6	0.35	1.30	7.3	Sump	"B"	15
2	0.94	10 min	5.8	0.35	0.33	1.9	Sump	"A"	7.5



PROFILE: Vert. 1" = 5'
Hor. 1" = 50'

STORM DRAIN DETAILS
SECTION ONE

BREEZEWOOD FARMS

3RD ELECTION DIST., HOWARD COUNTY, MARYLAND
June 13, 1961

RECEIVED
JUN 19 1961
HOWARD COUNTY
PLANNING COMMISSION

Scale: As Shown

129
PURDUM AND JESCHKE
ENGINEERS
24 Park Avenue
Baltimore City, Maryland

R-P-86 129