

HOWARD COUNTY: PIPE BREAKS - FIELD DATA

DAY: 9-25-05
 TIME: ~~9:00am~~ 8:00am
 TIME OF BREAK: 9-25-05 1:30am
 ENGINEER: G. Gibson

LOCATION:
 GPS LOCATION: 9336

GPS: 160 W

PHOTO BEFORE REPAIRS:

Number of Pictures:

SOIL CHEMISTRIES:

REDOX		SOIL BOX RESISTIVITIES		pH	
(mV)		(Ohm-cm)		(mV)	
(mV)		(Ohm-cm)		(mV)	
Top of Pipe (12)		Top of Pipe (12)		Top of Pipe (12)	
Side of Pipe (3 / 9)		Side of Pipe (3 / 9)		Side of Pipe (3 / 9)	
Bottom of Pipe (6)		Bottom of Pipe (6)		Bottom of Pipe (6)	
				Actual Soil pH	

Soil Type: Clay Sand Silt Clay/sand BGC* Other

DETAILS:

Pipe Type: Cast Iron Ductile Iron Steel PCCP Plastic

Pipe Size: 8"

Repair Method: Clamp Weld Cut Other

DETAILS:

Replaced 12' piece of CI with 12' DI + Hymax

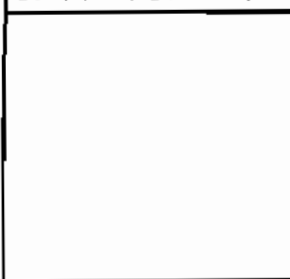
Form of Break: Circular Longitudinal Other

DETAILS:

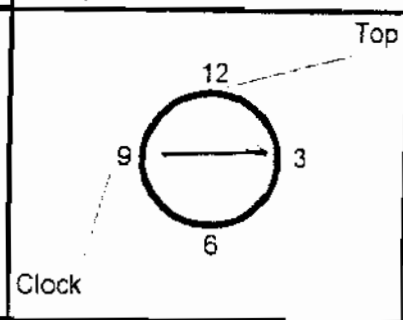
PHOTO AFTER REPAIRS:

Number of Pictures:

SKETCH OF SITE



TESTING VIEW



* BGC = blue/gray clay