

# HOWARD COUNTY: PIPE BREAKS - FIELD DATA

DAY: 11-5-07  
 TIME: 8: AM  
 TIME OF BREAK: 7:25  
 ENGINEER: \_\_\_\_\_

**LOCATION:**

GPS LOCATION: old Columbia Pike and overlook

GPS: \_\_\_\_\_

**PHOTO BEFORE REPAIRS:**

Number of Pictures: 11 W

**SOIL CHEMISTRIES:**

REDOX		SOIL BOX RESISTIVITES		pH	
(mV)		(Ohm-cm)		(mV)	
(mV)		(Ohm-cm)		(mV)	
Top of Pipe (12)		Top of Pipe (12)		Top of Pipe (12)	
Side of Pipe (3 / 9)		Side of Pipe (3 / 9)		Side of Pipe (3 / 9)	
Bottom of Pipe (6)		Bottom of Pipe (6)		Bottom of Pipe (6)	
				Actual Soil pH	

Soil Type: \_\_\_ Clay \_\_\_ Sand \_\_\_ Silt  Clay/sand \_\_\_ BGC\* \_\_\_ Other

**DETAILS:**

Pipe Type:  Cast Iron \_\_\_ Ductile Iron \_\_\_ Steel \_\_\_ PCCP \_\_\_ Plastic

Pipe Size: 8"

Repair Method: 8" Clamp \_\_\_ Weld \_\_\_ Cut \_\_\_ Other

**DETAILS:**

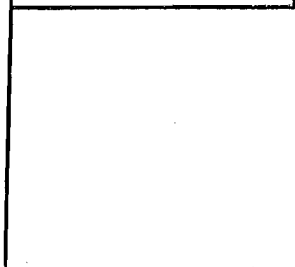
Form of Break:  Circular \_\_\_ Longitudinal \_\_\_ Other

**DETAILS:**

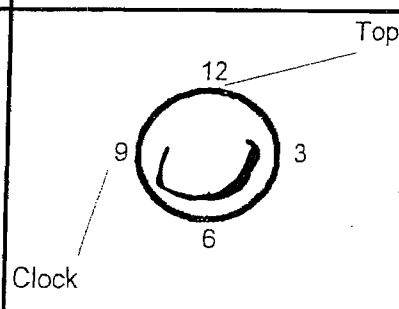
**PHOTO AFTER REPAIRS:**

Number of Pictures: \_\_\_\_\_

**SKETCH OF SITE**



**TESTING VIEW**



\* BGC = blue/gray clay