

# HOWARD COUNTY: PIPE BREAKS - FIELD DATA

**DAY:** 1.24.07  
**TIME:** 8: AM  
**TIME OF BREAK:** 5: AM  
**ENGINEER:** P. Mitchell

**LOCATION:**  
**GPS LOCATION:** HUNT AVE 3954

**GPS:** \_\_\_\_\_

**PHOTO BEFORE REPAIRS:**

Number of Pictures: \_\_\_\_\_

**SOIL CHEMISTRIES:**

REDOX		SOIL BOX RESISTIVITIES		pH	
(mV)		(Ohm-cm)		(mV)	
(mV)		(Ohm-cm)		(mV)	
Top of Pipe (12)		Top of Pipe (12)		Top of Pipe (12)	
Side of Pipe (3 / 9)		Side of Pipe (3 / 9)		Side of Pipe (3 / 9)	
Bottom of Pipe (6)		Bottom of Pipe (6)		Bottom of Pipe (6)	
				Actual Soil pH	

Soil Type: \_\_\_ Clay \_\_\_ Sand \_\_\_ Silt  Clay/sand \_\_\_ BGC\* \_\_\_ Other

**DETAILS:**

Pipe Type:  Cast Iron \_\_\_ Ductile Iron \_\_\_ Steel \_\_\_ PCCP \_\_\_ Plastic

Pipe Size: 8"

Repair Method:  Clamp \_\_\_ Weld \_\_\_ Cut \_\_\_ Other

**DETAILS:**

Form of Break:  Circular \_\_\_ Longitudinal \_\_\_ Other

**DETAILS:**

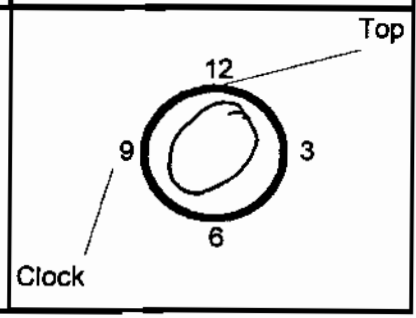
**PHOTO AFTER REPAIRS:**

Number of Pictures: \_\_\_\_\_

**SKETCH OF SITE**



**TESTING VIEW**



\* BGC = blue/gray clay