

HOWARD COUNTY: PIPE BREAKS - FIELD DATA

DAY: 11.13.07
 TIME: 8:50 AM
 TIME OF BREAK: 8:00
 ENGINEER: _____

LOCATION:

GPS LOCATION: 8220 Glen Court

GPS: 3. W

PHOTO BEFORE REPAIRS:

Number of Pictures: _____

SOIL CHEMISTRIES:

REDOX		SOIL BOX RESISTIVITIES		pH	
(mV)		(Ohm-cm)		(mV)	
(mV)		(Ohm-cm)		(mV)	
Top of Pipe (12)		Top of Pipe (12)		Top of Pipe (12)	
Side of Pipe (3 / 9)		Side of Pipe (3 / 9)		Side of Pipe (3 / 9)	
Bottom of Pipe (6)		Bottom of Pipe (6)		Bottom of Pipe (6)	
					Actual Soil pH

Soil Type: ___ Clay ___ Sand ___ Silt ___ Clay/sand ___ BGC* ___ Other

DETAILS:

Pipe Type: Cast Iron ___ Ductile Iron Steel ___ PCCP ___ Plastic

Pipe Size: 8"

Repair Method: Clamp ___ Weld ___ Cut ___ Other

DETAILS:

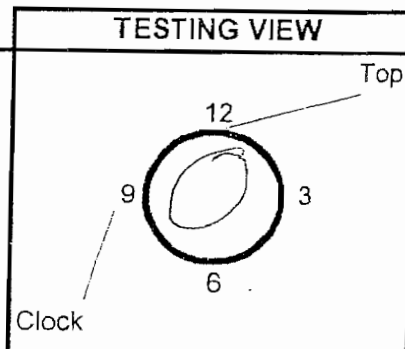
Form of Break: Circular ___ Longitudinal ___ Other

DETAILS:

PHOTO AFTER REPAIRS:

Number of Pictures: _____

SKETCH OF SITE



* BGC = blue/gray clay