

HOWARD COUNTY: PIPE BREAKS - FIELD DATA

DAY: 2-20-07
 TIME: _____
 TIME OF BREAK: 11:20
 ENGINEER: P. Mitchell

LOCATION: _____
 GPS LOCATION: 2922 ~ center Dr

GPS: 11.6

PHOTO BEFORE REPAIRS:
 Number of Pictures: _____

SOIL CHEMISTRIES:

REDOX		SOIL BOX RESISTIVITIES		pH	
(mV)		(Ohm-cm)		(mV)	
(mV)		(Ohm-cm)		(mV)	
Top of Pipe (12)		Top of Pipe (12)		Top of Pipe (12)	
Side of Pipe (3 / 9)		Side of Pipe (3 / 9)		Side of Pipe (3 / 9)	
Bottom of Pipe (6)		Bottom of Pipe (6)		Bottom of Pipe (6)	
				Actual Soil pH	

Soil Type: Clay Sand Silt Clay/sand BGC* Other

DETAILS:

Pipe Type: Cast Iron Ductile Iron Steel PCCP Plastic
 Pipe Size: 8
 Repair Method: Clamp Weld Cut Other

DETAILS:

Form of Break: Circular Longitudinal Other

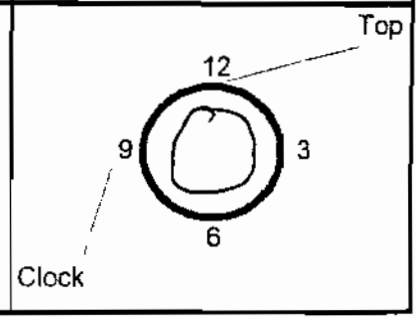
DETAILS:

PHOTO AFTER REPAIRS:
 Number of Pictures: _____

SKETCH OF SITE



TESTING VIEW



* BGC = blue/gray clay