

HOWARD COUNTY: PIPE BREAKS - FIELD DATA

DAY: January 10, 2011
 TIME: 11/10 03:00
 TIME OF BREAK: 71:00
 ENGINEER: D. Bezzell

LOCATION:

GPS LOCATION: West Running Brook Road and Palo Verde Court

GPS: nk

PHOTO BEFORE REPAIRS:

Number of Pictures: nk

SOIL CHEMISTRIES:

REDOX		SOIL BOX RESISTIVITIES		pH	
	(mV)		(Ohm-cm)		(mV)
	(mV)		(Ohm-cm)		(mV)
Top of Pipe (12)		Top of Pipe (12)		Top of Pipe (12)	
Side of Pipe (3 / 9)		Side of Pipe (3 / 9)		Side of Pipe (3 / 9)	
Bottom of Pipe (6)		Bottom of Pipe (6)		Bottom of Pipe (6)	
				Actual Soil pH	

Soil Type: Clay Sand Silt Clay/sand BGC* Other

DETAILS:

Pipe Type: Cast Iron Ductile Iron Steel PCCP Plastic

Pipe Size: 3-inch

Repair Method: Clamp Weld Cut Other

DETAILS: FC Clamp 3" Plain (204) #0837

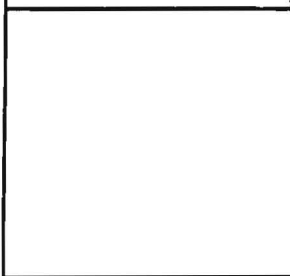
Form of Break: Circular Longitudinal Other

DETAILS:

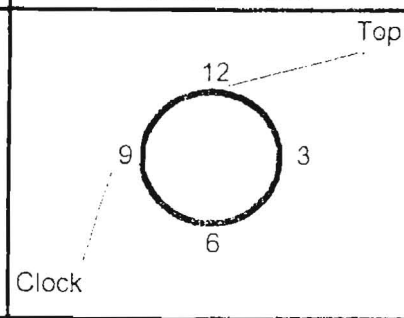
PHOTO AFTER REPAIRS:

Number of Pictures:

SKETCH OF SITE



TESTING VIEW



* BGC = blue/gray clay