

HOWARD COUNTY: PIPE BREAKS - FIELD DATA

DAY: 12-13-2009
 TIME: 9:00 pm
 TIME OF BREAK: 4:00 pm
 ENGINEER: T. Miller - crew leader

LOCATION:
 GPS LOCATION: 6423 Hawthorn Ave

GPS: _____

PHOTO BEFORE REPAIRS:

Number of Pictures: _____

SOIL CHEMISTRIES:

REDOX		SOIL BOX RESISTIVITIES		pH	
(mV)		(Ohm-cm)		(mV)	
(mV)		(Ohm-cm)		(mV)	
Top of Pipe (12)		Top of Pipe (12)		Top of Pipe (12)	
Side of Pipe (3 / 9)		Side of Pipe (3 / 9)		Side of Pipe (3 / 9)	
Bottom of Pipe (6)		Bottom of Pipe (6)		Bottom of Pipe (6)	
				Actual Soil pH	

Soil Type: ___ Clay ___ Sand ___ Silt Clay/sand ___ BGC* ___ Other

DETAILS:

Pipe Type: Cast Iron ___ Ductile Iron ___ Steel ___ PCCP ___ Plastic

Pipe Size: 8"

Repair Method: Clamp ___ Weld ___ Cut ___ Other

DETAILS:

Form of Break: ___ Circular ___ Longitudinal Other

DETAILS:

2" hole in bottom of pipe.

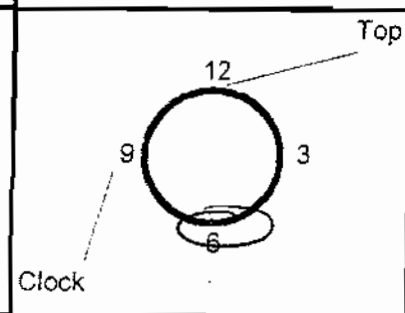
PHOTO AFTER REPAIRS:

Number of Pictures: _____

SKETCH OF SITE



TESTING VIEW



* BGC = blue/gray clay