

**NOTES:**

FOUNDATIONS NEED TO BE FOUNDED ON LEVEL ROCK AND ARE TO BE CONFIRMED BY THE ENGINEER IN THE FIELD AFTER EXCAVATION. LIMITS OF ROCKSTONE TO BE REMOVED ARE TO BE DETERMINED IN FIELD. IF UNSUITABLE MATERIALS ARE ENCOUNTERED, OVEREXCAVATE AT THE DIRECTION OF THE ENGINEER AND BACKFILL WITH COMPACTED NO. 2A COARSE AGGREGATE.

AN ENGINEER SHALL INSPECT FOUNDATION MATERIAL AND BE ON SITE DURING CONSTRUCTION.

PERFORM ALL EXCAVATIONS IN ACCORDANCE WITH OSHA REQUIREMENTS. THE CONTRACTOR IS RESPONSIBLE FOR THE STABILITY OF ALL EXCAVATED SLOPES AND THE DESIGN OF ANY TEMPORARY SHORING AND BRACING THAT MAY BE USED. DIVERT ALL SURFACE RUNOFF AWAY FROM EXCAVATIONS TO AVOID THE DETERIORATION OF SUBGRADE MATERIALS. THE CONTRACTOR IS RESPONSIBLE FOR PROVIDING SUFFICIENT DEWATERING SO THAT EXCAVATIONS ARE DRY ENOUGH FOR INSPECTION AND CONSTRUCTION.

CONTRACTOR TO FIELD VERIFY ALL DIMENSIONS AND GEOMETRY OF THE EXISTING FEATURES AS NECESSARY FOR PROPER FIT OF THE PROPOSED CONSTRUCTION.

ALL CAST-IN-PLACE CONCRETE SHALL BE MIX NO. 3 (f'c=3500 PSI).

ALL REINFORCEMENT BARS SHALL BE EPOXY COATED AND HAVE A YIELD STRENGTH OF 60 KSI.

REINFORCING STEEL SHALL CONFORM TO ASTM A615, GRADE 60. MINIMUM COVER FOR ANY BAR SHALL BE 2" UNLESS OTHERWISE NOTED, WITH THE EXCEPTION OF BARS AT THE BOTTOM AND SIDES OF ALL FOOTINGS WHICH SHALL HAVE 3" MINIMUM COVER.

DESIGN IS IN ACCORDANCE WITH INTERNATIONAL BUILDING CODE, 2015 EDITION.

DESIGN LIVE LOAD IS 2'-0" LIVE LOAD SURCHARGE LOADING.

**REVIEWED FOR CODE COMPLIANCE**  
DEPARTMENT OF INSPECTIONS, LICENSES AND PERMITS  
HOWARD COUNTY

DATE: 10/6/16

BY: [Signature]

SUBJECT TO COMMENTS OF LETTER

SUBJECT TO FIELD INSPECTION

SUBJECT TO COMMENTS ON PLANS

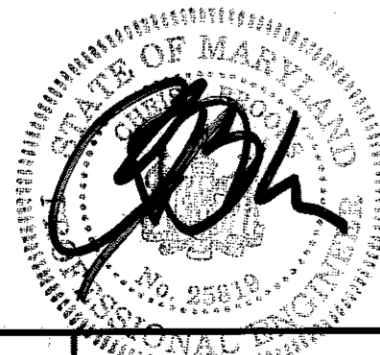
AMENDMENT

FINAL



**AS-BUILT CERTIFICATION**

I CERTIFY THAT THE FACILITY SHOWN ON THIS PLAN WAS CONSTRUCTED AS SHOWN ON THE "AS-BUILT" PLANS AND MEETS THE APPROVED PLANS AND SPECIFICATIONS.



DEPARTMENT OF PUBLIC WORKS  
HOWARD COUNTY, MARYLAND

**McCORMICK TAYLOR**

509 South Exeter Street  
4th Floor  
Baltimore, Maryland 21202  
(410) 662-7400

**Howard County MARYLAND**

Storm Water Management Division  
Bureau of Environmental Services  
6751 Columbia Gateway Drive, Suite 514  
Columbia, Maryland 21046-3143  
(410) 313-6444



DES: JB				
DRN: TD				
CHK: AF				
DATE: 08/17/16	ADM	2	AS-BUILT SURVEY	9/6/17
	BY	NO.	REVISION	DATE

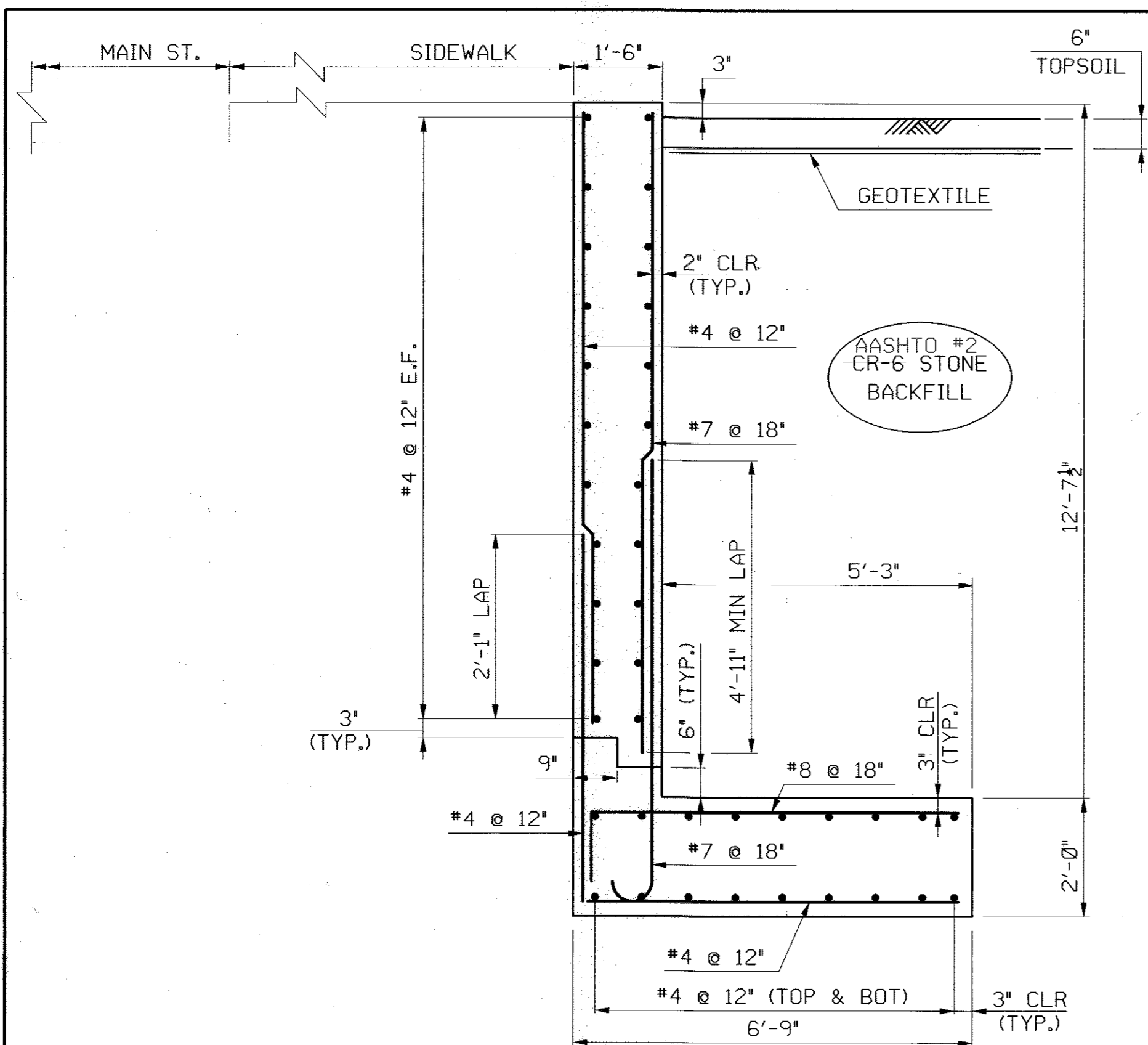
**ELLCOTT CITY PARKING LOT E**  
8312-8316 MAIN STREET EMERGENCY WALL REPAIR  
CAPITAL PROJECT #D-1165  
HOWARD COUNTY

SCALE  
AS NOTED

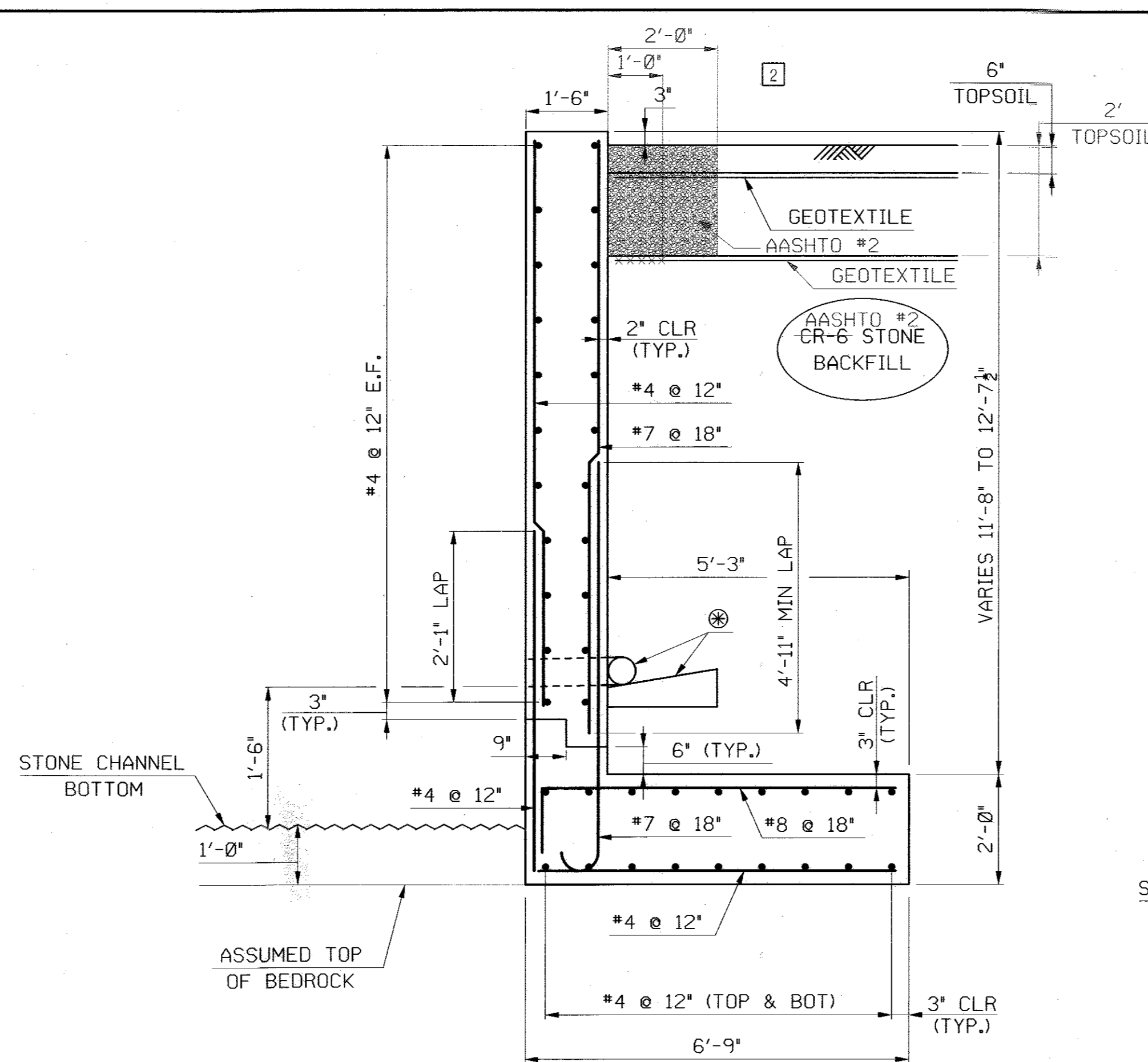
SHEET  
1 OF 3

**RECEIVED**  
OCT 21 2016  
LICENSES & PERMITS  
DIVISION

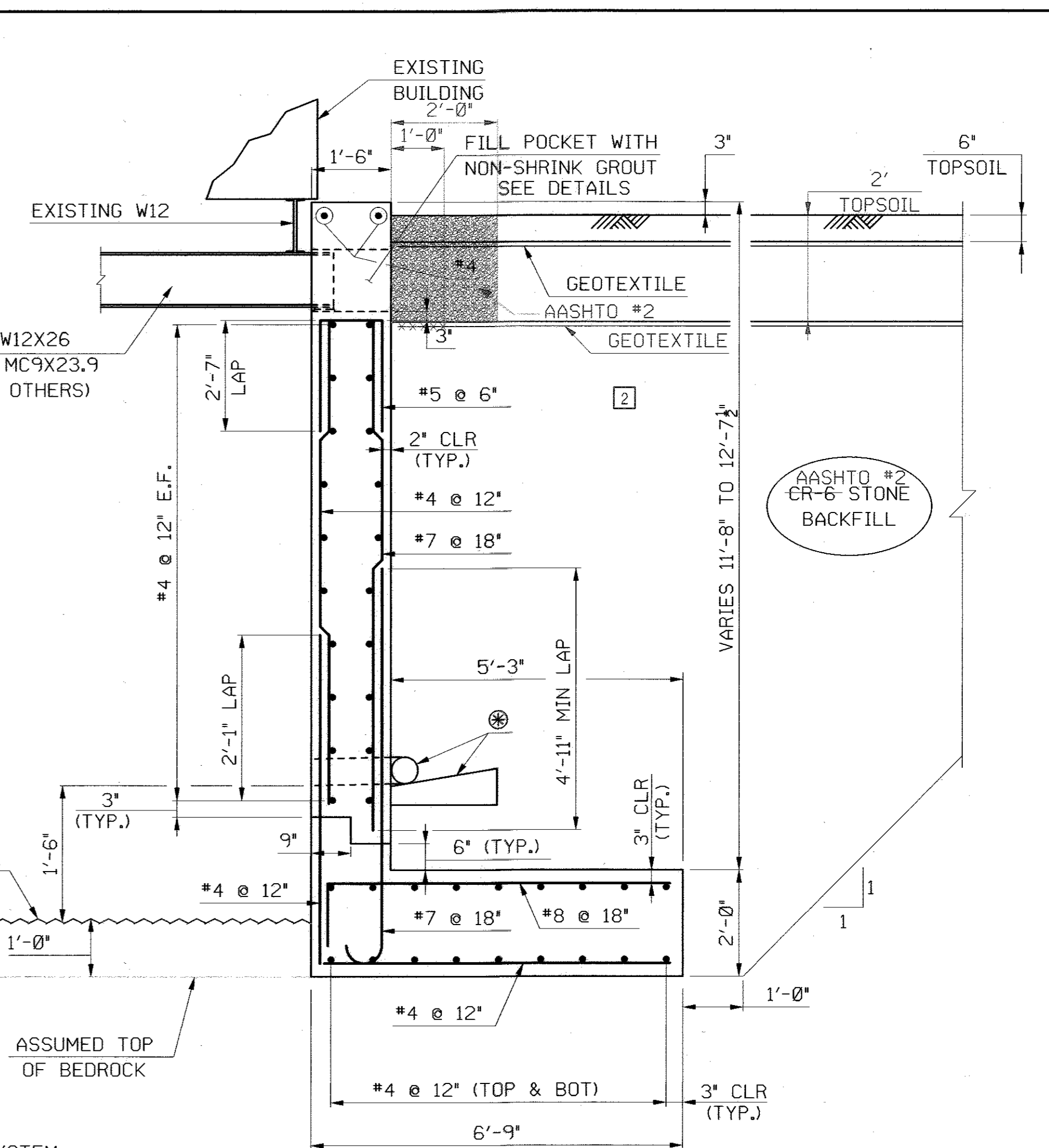
CHIEF, BUREAU OF ENVIRONMENTAL SERVICES DATE



SECTION A-A

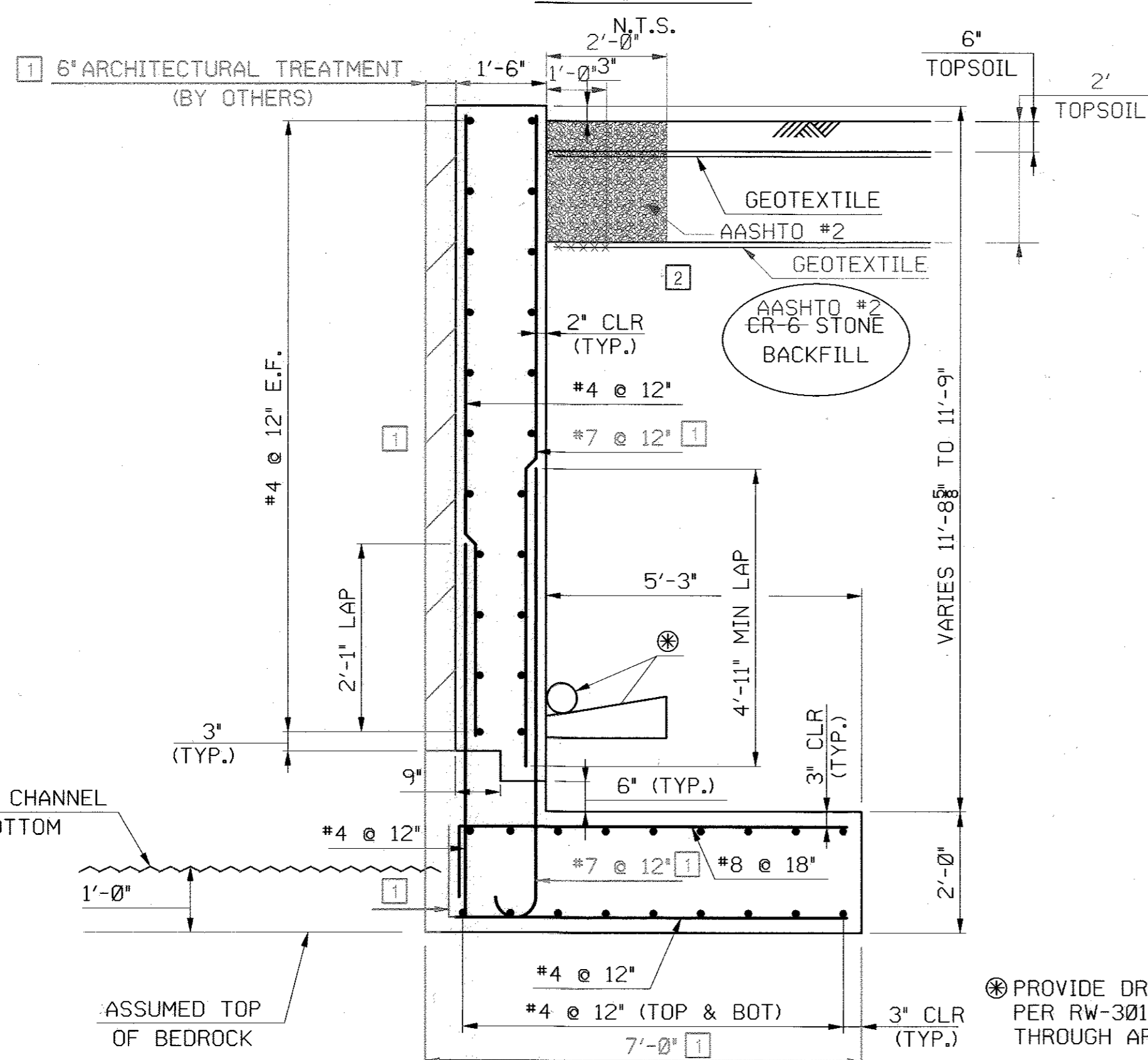


SECTION B-B  
N.T.S.



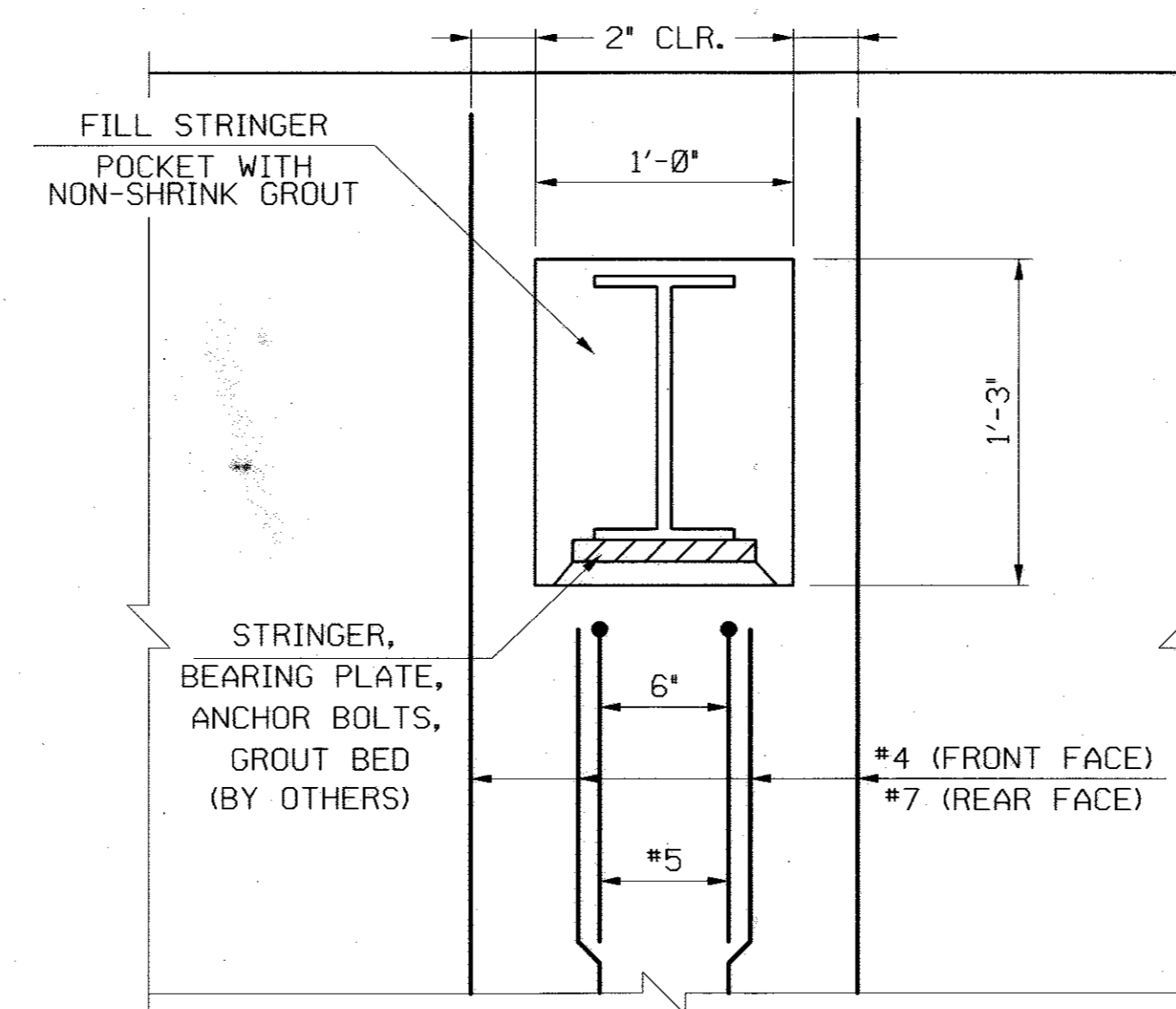
SECTION C-C  
N.T.S.

⊗ PROVIDE DRAINAGE SYSTEM PER RW-301. SPACE OUTLETS AT 15 FEET MAXIMUM.

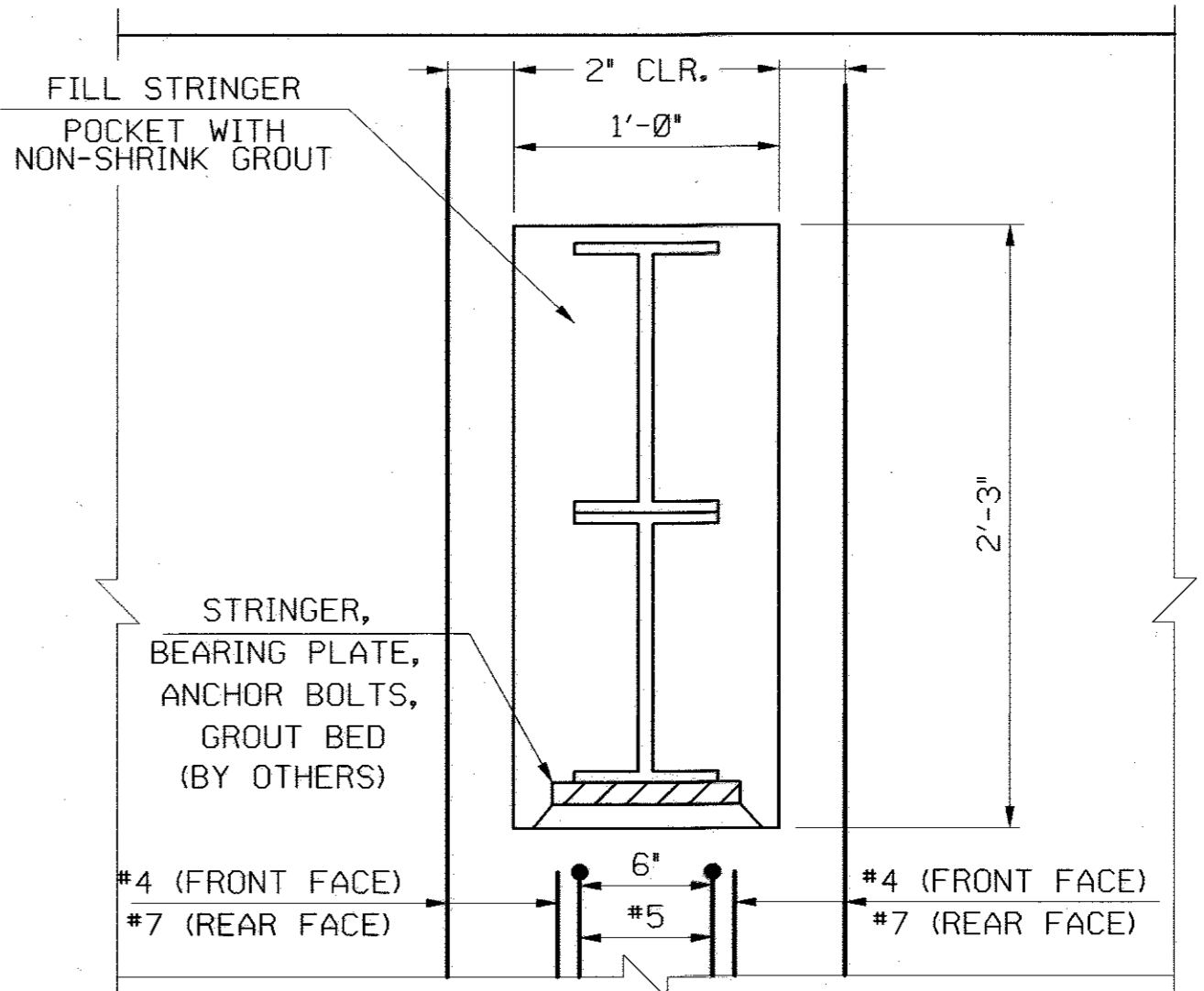


SECTION D-D  
N.T.S.

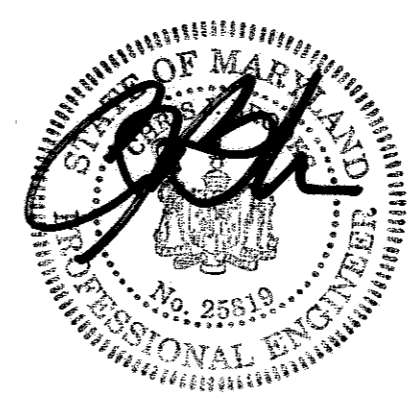
⊗ PROVIDE DRAINAGE SYSTEM PER RW-301. DO NOT OUTLET THROUGH ARCHITECTURAL TREATMENT.



STRINGER POCKET DETAIL - ELEVATION  
(LOOKING AT WALL FACE)  
N.T.S.



HEADER POCKET DETAIL - ELEVATION  
(LOOKING AT WALL FACE)  
N.T.S.



RECEIVED  
OCT 21 2016  
LICENSES & PERMITS  
DIVISION

DEPARTMENT OF PUBLIC WORKS  
HOWARD COUNTY, MARYLAND  
CHIEF, BUREAU OF ENVIRONMENTAL SERVICES  
DATE

**MCCORMICK TAYLOR**  
509 South Exeter Street  
4th Floor  
Baltimore, Maryland 21202  
(410) 662-7400

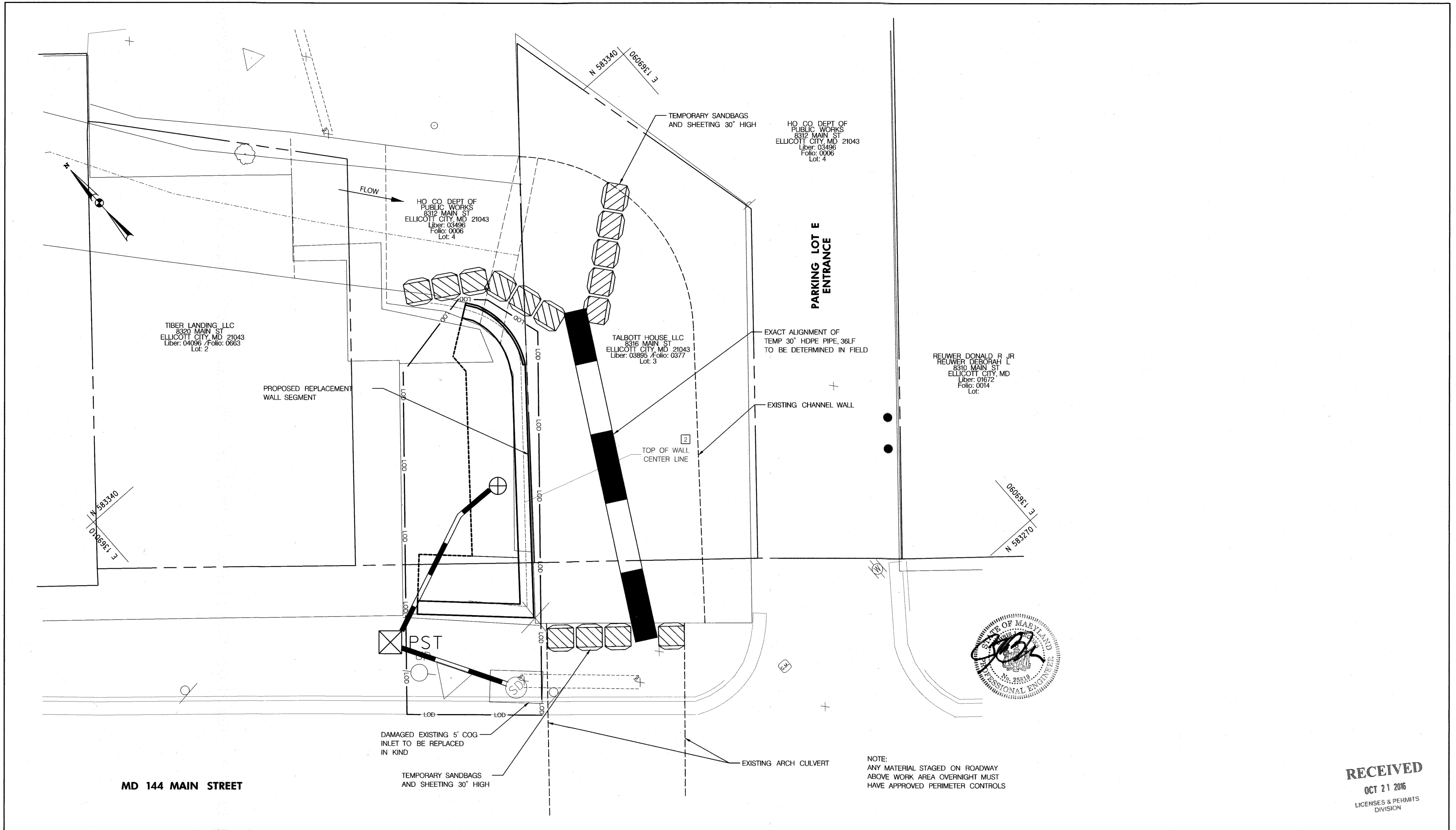
**Howard County**  
MARYLAND  
Storm Water Management Division  
Bureau of Environmental Services  
6751 Columbia Gateway Drive, Suite 514  
Columbia, Maryland 21046-3143  
(410) 313-6444



DES:	JB				
DRN:	TD				
CHK:	AF	ADM	2	AS-BUILT SURVEY	9/6/17
DATE:	08/17/16	CJB	1	GREENLINE REVISION	10/14/16
		BY	NO.	REVISION	DATE

**ELLCOTT CITY PARKING LOT E**  
8312-8316 MAIN STREET EMERGENCY WALL REPAIR  
CAPITAL PROJECT #D-1165  
HOWARD COUNTY

SCALE  
AS NOTED  
SHEET  
2 OF 3



RECEIVED  
OCT 21 2016  
LICENSES & PERMITS  
DIVISION

DEPARTMENT OF PUBLIC WORKS  
HOWARD COUNTY, MARYLAND

CHIEF, BUREAU OF ENVIRONMENTAL SERVICES

DATE

**McCORMICK TAYLOR**

509 South Exeter Street  
4th Floor  
Baltimore, Maryland 21202  
(410) 662-7400

**Howard County**  
MARYLAND

Storm Water Management Division  
Bureau of Environmental Services  
6751 Columbia Gateway Drive, Suite 514  
Columbia, Maryland 21046-3143  
(410) 313-6444

STATE OF MARYLAND  
No. 32300  
PROFESSIONAL ENGINEER

26-Aug-2016

DES: JB					
DRN: TD					
CHK: AF					
DATE: 08/17/16	ADM	2	AS-BUILT SURVEY	9/6/17	
	BY	NO.	REVISION	DATE	

ELLICOTT CITY PARKING LOT E  
8312-8316 MAIN STREET EMERGENCY WALL REPAIR  
CAPITAL PROJECT #D-1165  
HOWARD COUNTY

**MAINTENANCE OF STREAM FLOW  
EROSION AND SEDIMENT CONTROL**

SCALE  
1" = 5'

SHEET  
3 OF 3